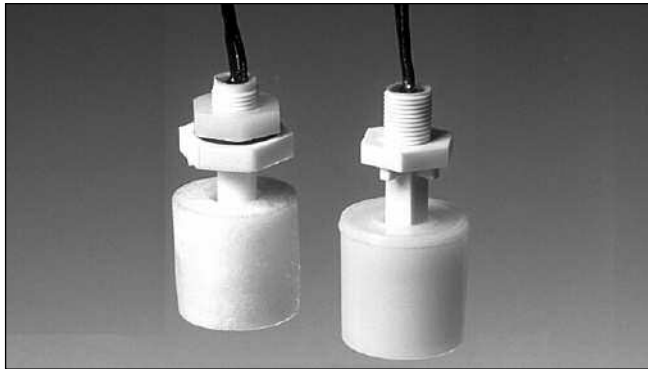


Proximity Magnetic Sensors Level Magnetic Sensors ILMP Series



- Cylindrical non-toxic polypropylene housing
- Extremely small dimensions
- NO or NC output functions
- Reversible output function by sensor housing over turning
- Vertical or horizontal mounting
- Excellent electrical features

Product Description

The micro magnetic level switches are manufactured in non-toxic polypropylene; they are characterized by excellent electrical features and extremely small dimensions.

Ordering Key

ILMP 5 P

Type _____
 Reed contact type _____
 Full float _____

Type Selection

Float diameter	Connection	Output function	Reference
Ø 25	PVC cable L= 0.3m	NO, NC*	ILMP 5
Ø 25	PVC cable L= 0.3m	NO, NC*	ILMP 5 P

Diameters are specified in millimeters (mm)
 *Reversible output function by sensor housing overturning

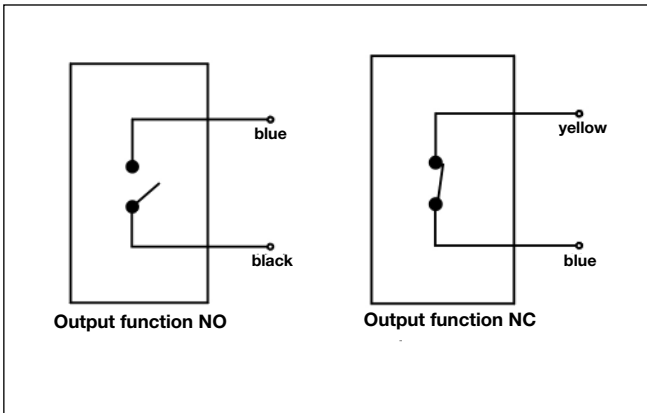
Output Specifications

Output	NO, NC
Contact ratings	
Max Switching Voltage	240 VAC, 200 VDC
Max Switching Current	0.5 A
Max Switching Power	50 VA

General Specifications

Ambient temperature Operating	-20 to +80 °C
Environment Degree of protection	IP 68 (cable output IP67)
Float Diameter Material	Ø 25 mm Plastic (non-toxic polypropylene)
Max pressure	2 kg/cm ²
CE-marking	Yes

Wiring Diagrams



Dimensions

