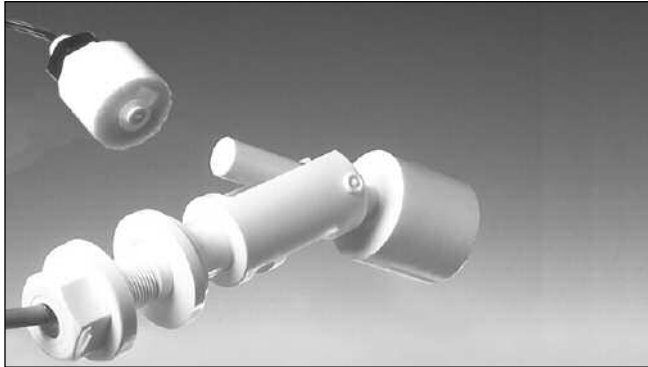


Proximity Magnetic sensors Level Magnetic Sensors ILMPU, ILU and ILMU Series



- Cylindrical, non toxic polypropylene or plastic housing
- NO, NC or CO output functions
- Reversible output function by sensor housing over turning
- PVC or silicone cable output connection
- Horizontal mounting

Product Description

The ILMPU model, extremely small dimensioned, can be used both as a NO function and NC function depending on mounting direction. The ILMU models, also for

horizontal mounting, is made in plastic material. The ILU and ILMPU models, for horizontal mounting, are made in non-toxic polypropylene as well.

Ordering Key

ILU S2 S1

Type _____
Reed contact type _____
Special version _____

Type Selection

Float diameter	Connection	Output function	Reference
Ø 17.5	Silicone cable L= 0.3m	NO, NC*	ILMPU 5
Ø 31	Silicone cable L= 0.3m	NO, NC*	ILMU 5
Ø 45	Silicone cable L= 0.5m	NO	ILU 2
Ø 45	Silicone cable L= 0.5m	NO	ILU 8
Ø 45	Silicone cable L= 0.5m	CO	ILU S 2
Ø 45	Silicone cable L= 0.5m	CO	ILU S 2 S1

Diameters are specified in millimeters (mm)

*Reversible output function by sensor housing overturning

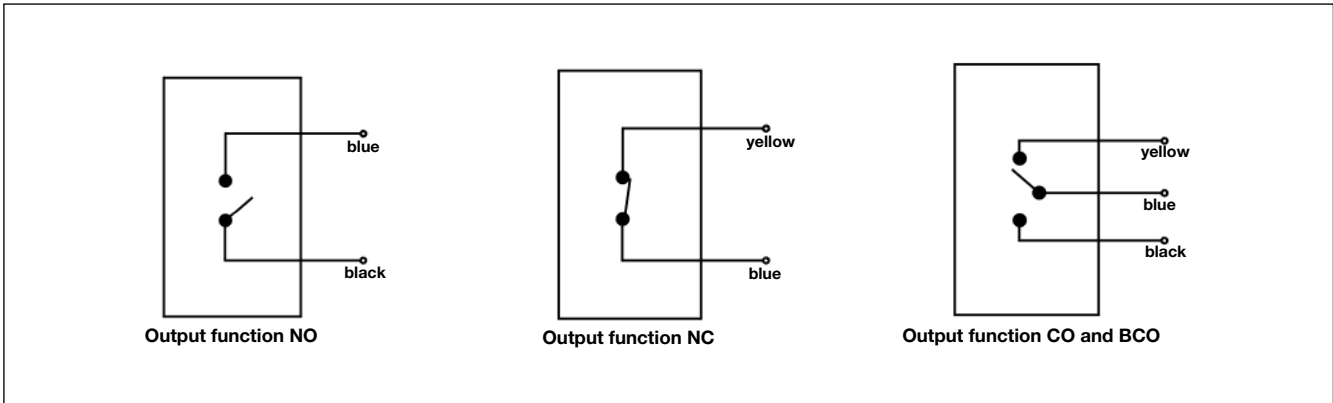
Output Specifications

Output ILMPU5, ILMU5 ILU2, ILU8 ILUS2, ILUS2S1	NO, NC NO Change-over
Contact ratings Max Switching Voltage ILU2 ILMPU5, ILMU5 ILU8 ILUS2S1 Max Switching Current ILU2 ILMPU5, ILMU5 ILU8 ILUS2S1 Max Switching Power ILU2 ILMPU5, ILMU5 ILU8 ILUS2S1	250 VAC 240 VAC, 200 VDC 1000 VAC 220 VAC 3 A 0.5 A 3 A 1 A 100 VA 50 VA 120 VA 60 VA

General Specifications

Ambient temperature Operating ILMPU5, ILMU5 ILU2, ILU8, ILUS2, ILUS2S1	-20 to +80 °C -25 to +100 °C
Environment Degree of protection	IP 68
Float Diameter ILMPU5 ILMU5 ILU2, ILU8, ILU2, ILUS2S1 Material	Ø 17.5 mm Ø 31 mm Ø 45 mm non toxic polypropylene or plastic
Min liquid specific gravity ILMPU5, ILMU5 ILU2, ILU8, ILUS2, ILUS2S1	0.70 kg/dm ³ 0.75 kg/dm ³
Max pressure ILMPU5, ILMU5 ILU2, ILU8, ILUS2, ILUS2S1	2 kg/cm ² 100 kg/cm ²
CE-marking	Yes

Wiring Diagrams



Dimensions

