

FRS02 Filter regulator (Aluminium casing)

FRS03 Filter regulator (Stainless Steel casing)



Control of instrument supply air pressure, and removal by filtration of dust particles and water content. FRS02 and FRS03 are dedicated for direct mounting to valve positioners SRI990, SRD991, and SRD960.

FEATURES

- Minimal effect of upstream pressure fluctuation
- Low inherent air consumption
- Gauges 3 scales (bar / psi / kPa)
- Bowl with manual drain
- 1/4 NPT connection for in and output air
- Aluminium housing for FRS02
- Stainless Steel housing (316) for FRS03
- Air flow at max deviation 18 Nm³/h
- Range of setting 0 to 8 bar
- Max inlet pressure 10 bar / 150 psi
- Temperature Range -30°C to 70°C
- Filter: Sintered bronze (FRS02), Stainless Steel (FRS03), Filter grade 30 μm
- Explosion protection II 2 GD c IIC T6
ATEX - constructive design
CU TR Explosion protection

DISAI
Automatic Systems
T: 962 448 450 www.disai.net

Foxboro
by **Schneider** Electric

TECHNICAL DATA

Inlet pressure max. 10 bar / 150 psi
 Control range 0 - 8 bar / 0 - 116 psi
 Indicating range 0 - 10 bar / 0 - 145 psi
 Error limit Class 2.5
 Air throughput Qn max. 18 Nm³/h *
 Upstream press. dependency < 1 mbar / 0.1 bar
 Max.inherent air consumption < 0.001 m³/h *
 Location class IP 54 acc. to IEC 529
 Area classification D2 acc. to IEC 654/1

Ambient temperature range . -30 to 70°C/ -22 to 158°F **
 Mounting Wall mounting/Pipe mounting
 Nominal position NL 90
 Pneum. connections. internal thread 1/4 - 18 NPT

Materials

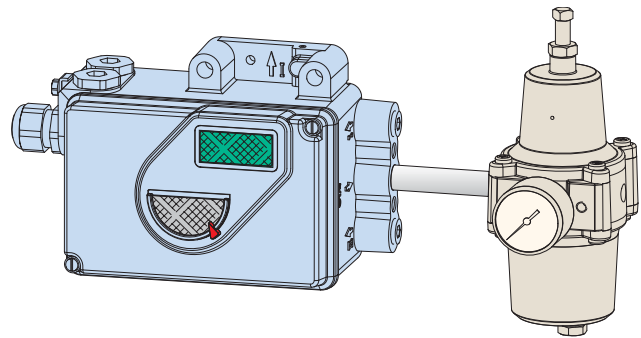
- Housing: Diecast Aluminium (FRS02), SS 316 (FRS03)
- Filter: Sintered bronze (FRS02), SS (FRS03), filter grade 30 µm
- Gauge: housing: SS; measuring system: brass

Weight FRS02: 0.70 kg (1.54 lb)
 FRS03: 1.62 kg (3.57 lb)

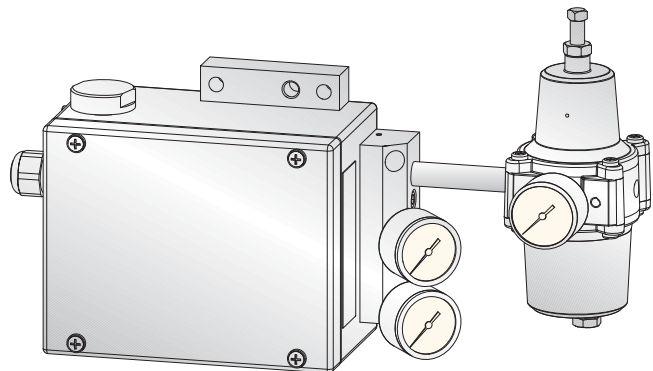
* Measured at 7 bar upstream pressure and 1.4 bar output pressure, based on standard reference conditions.
 ** The supply air must be dry for operation at temperatures below 0 °C (observe dew point)

APPLICATION

Specially dedicated for direct mounting to valve positioners SRI990, SRD991, and SRD960.

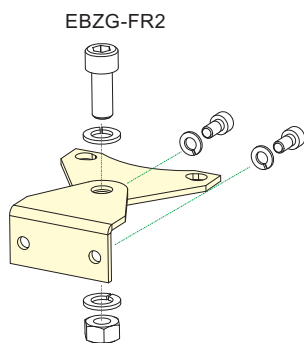
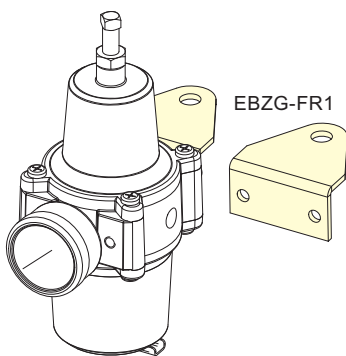


FRS02 direct mounted to SRD991 or SRI990, via Tube connector VG-91

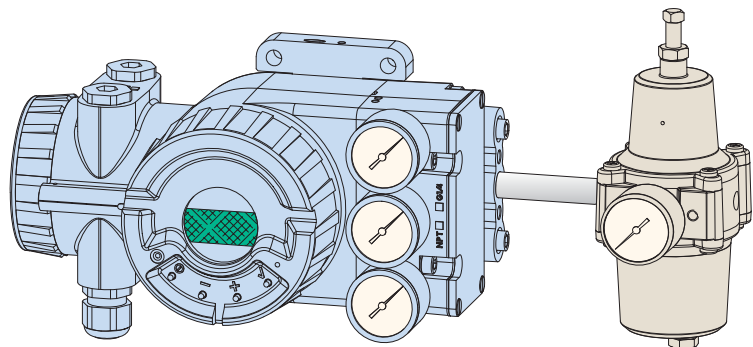


FRS03 (SS) direct mounted to SRD991 or SRI990 (in SS housing)

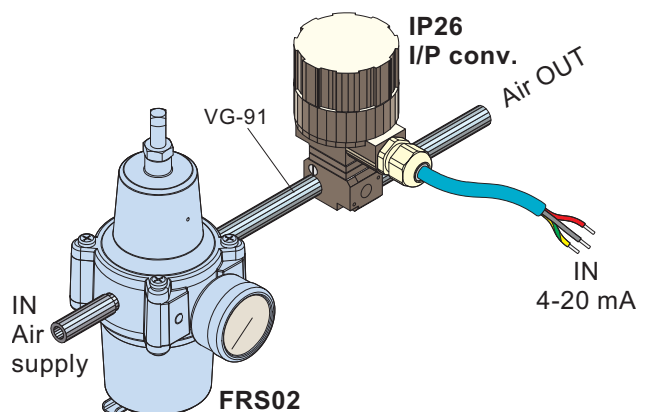
Accessory: Mounting bracket



Mounting via Mounting Bracket

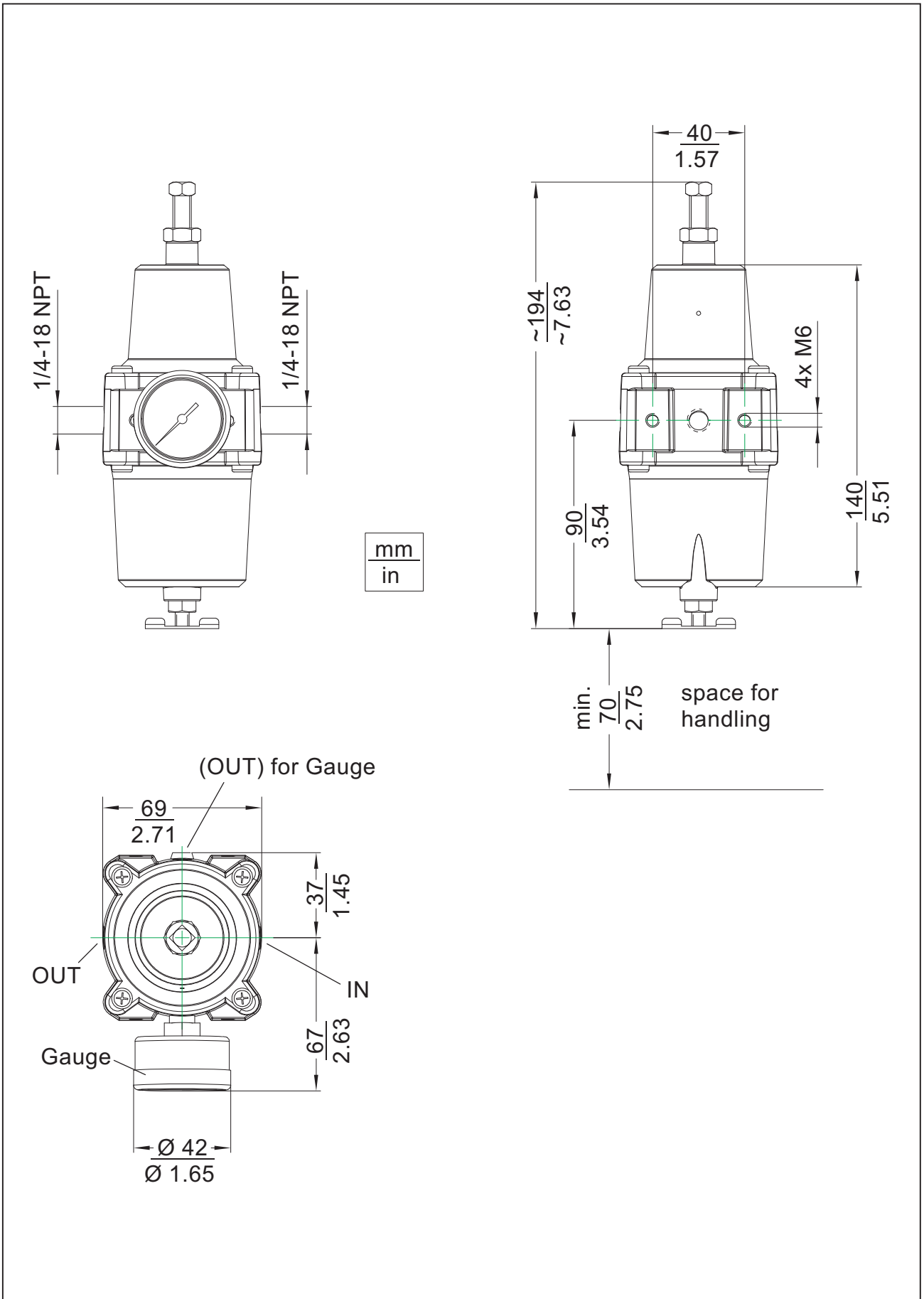


FRS02 direct mounted to SRD960



FRS02 direct mounted to IP26

DIMENSIONS FRS02, FRS03



MODEL CODES

Filter Regulator (Aluminium casing)	FRS02
Filter Regulator (Stainless Steel casing)	FRS03
Tube, 1/4 NPT both sides, material 1.4404, for direct mounting to filter Regulator.	VG-91
Tube, 1/4 NPT both sides, material 1.4571, for direct mounting to filter Regulator, prepared for gauge 1/8 NPT.	VG-92
Mounting Brackets	
Mounting Bracket for FRS02 or FRS03	EBZG-FR1
Orientable Mounting Bracket for FRS02 or FRS03.	EBZG-FR2

Additional Documentation for other products**Specifications device**

PSS EVE0101	SRP981	Pneumatic Positioner
PSS EVE0102	SRI986	Electro-Pneumatic Positioner
PSS EVE0103	SRI983	Electro-Pneumatic Positioner - explosion proof or Ex d version
PSS EVE0105	SRD991	Intelligent Positioner
PSS EVE0107	SRI990	Analog Positioner
PSS EVE0109	SRD960	Universal Positioner
PSS EVE0403	IP26	Current to Pneumatic Converter

Subject to alterations – reprinting, copying and translation prohibited. Products and publications are normally quoted here without reference to existing patents, registered utility models or trademarks. The lack of any such reference does not justify the assumption that a product or symbol is free.

FOXBORO ECKARDT GmbH
 Pragstr. 82
 D-70376 Stuttgart
 Germany
 Tel. +49 (0)711 502-0
 Fax +49 (0)711 502-597
<http://www.foxboro-eckardt.com>

ECKARDT S.A.S.
 20 rue de la Marne
 F-68360 Soultz
 France
 Tel. + 33 (0)3 89 62 15 30
 Fax + 33 (0)3 89 62 14 85

DOKT 558 722 021

