

BSV

Voice Annunciator



87 dB at 1m

15 Channels (Binary)

63 Seconds

IP54

□ 75

NPN/PNP
Open-collector



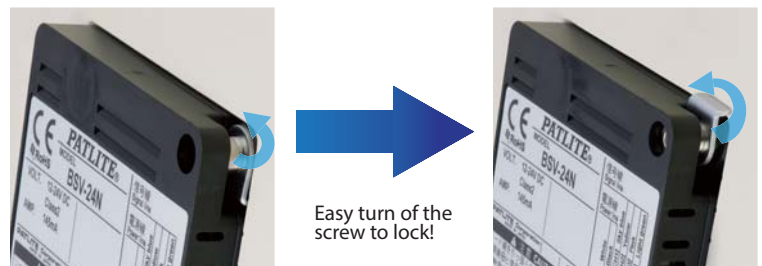
The unbelievably thin design includes space-saving for equipment.

FEATURES

- Sound reduction is made with just one signal input. (When the sound reduction function is used, the number of playback messages is reduced.)
- Diverse operational modes in combination with commands can be setup for the right application.
- The use of the SD card can allow changing messages while out in the field.
- Protection Rating of IP54 (Only for front panel mount attachment).
- Despite the thin shape, it has a maximum output of 87dB (at 1m).
- It complies with Europe's environment-friendly RoHS Directive.
- Can be used with transistor driven inputs. (Either NPN or PNP)
- A compact design with only a thickness of 19.9mm.
- Two installation choices of panel or wall mount.
- The volume control is accessible from the front.
- Listed by Underwriters Laboratories Inc.
- Conforms to the CE requirements.

Easy installation from the front.

With only the need to access the front cover, reduction in labor time and maintenance is simpler with easily removing the front cover for installation and volume adjustment, etc.



Options

PATLITE Playlist Editor 2
(Free Download)

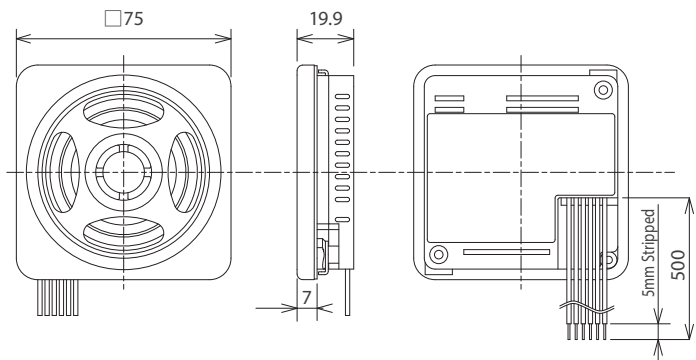
(OS: Windows® 2000/XP/Vista/Windows 7/Windows 8)

- > The new PATLITE Playlist Editor 2 is required to change the audio message data for this product.
- > The SD Card does not contain any data.

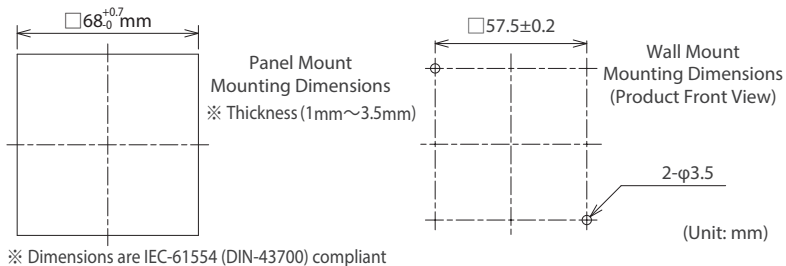
SD Card
(2 GB)
SDV-2GP



Dimensions



Mounting Dimensional Drawing



How to Order

BSV-24NM-W

Transistor Type
 N: NPN
 P: PNP

Front Cover Color
 W: Off-white
 D: Dark Gray
 S: Silver

Pre-recorded Message
 None: 15 Built-in Alarms
 M: Pre-recorded Messages
 (Caution) If the pre-recorded voice message data is overwritten, all of it will be erased. Also, message data cannot be exported.

Panel Mount



Wall Mount

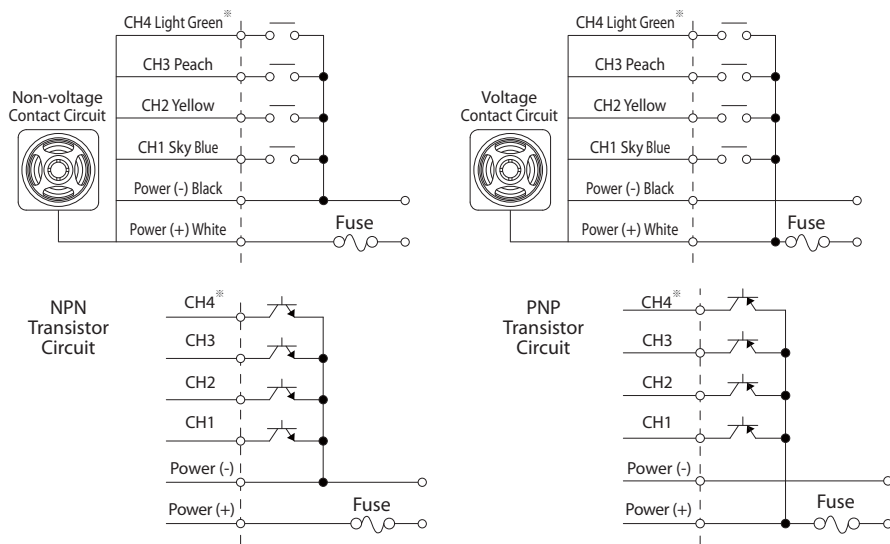


Actual Size



With the built-in SD card slot, MP3 data rewriting can be done with an SD card. In addition to the optional message rewriting with the exclusive PATLITE Playlist Editor 2 Application software, Rewriting or editing MP3 data files is possible without the use of dedicated software.

Wiring



Specifications

Transistor Type	Pre-recorded Data	Model	Front Cover Color	Rated Voltage	Operating Voltage Range	Power Consumption	Sound Level (Max.)	Operating Temperature Range	Maximum Playback Time	No. of Playback Inputs	Protection Rating	Mass
NPN	VOICE	BSV- 24NM- W	Off-white	12-24V DC	10.8V - 26.4V DC	3.5W	87dB (at 1m)	-10 - +50°C (RH less than 85%)	63 sec.	Bit: 4 Binary: 15	IP54 (Flush-mount, Upright Position)	100g
		BSV- 24NM- D	Dark Gray									
		BSV- 24NM- S	Silver									
	ALARM	BSV- 24N- W	Off-white									
		BSV- 24N- D	Dark Gray									
PNP	VOICE	BSV- 24PM- W	Off-white									
		BSV- 24PM- D	Dark Gray									
		BSV- 24PM- S	Silver									
	ALARM	BSV- 24P- W	Off-white									
		BSV- 24P- D	Dark Gray									
		BSV- 24P- S	Silver									

*Actual sound level will depend on sound type and surrounding operating conditions.