

SANMOTION
AC SERVO SYSTEMS **RS3**

230
VAC

SIL3
SAFE TORQUE
OFF (STO)

EtherCAT

3rd
GENERATION!

230 VAC SERVOAMPLIFIERS

RS3 SERIES AC SERVOAMPLIFIERS - EtherCAT INTERFACE & STO

FIVE DIGIT DISPLAY: It allows to monitor amplifier and EtherCAT Network.

PC CONNECTOR: The amplifier can be set and monitored by means of Personal Computer USB interface.

POWER CONNECTOR: 230VAC, single-phase or three-phase (configurable by user). Power sections kept separated for logic/signal and power. Built-in protection circuits against overload and input overvoltage.

Internal regenerative resistor. External regenerative resistor (optional)

EtherCAT INTERFACE CONNECTOR: RJ45 - CAT5e.

I/O CONNECTOR: 7 inputs and 2 outputs.

MOTOR POWER CONNECTOR

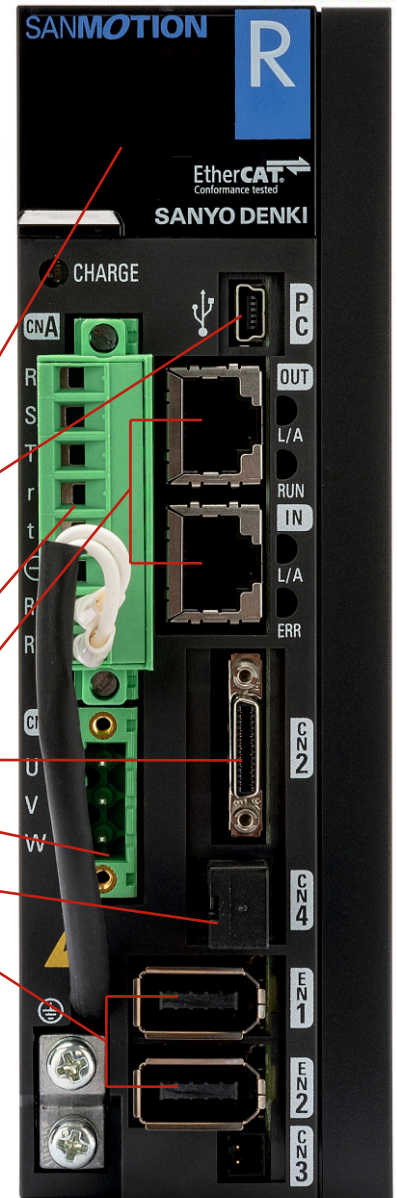
SAFE TORQUE OFF - SIL3 CONNECTOR



SECOND ENCODER CONNECTOR FOR EXTERNAL LINEAR SCALE TO AVOID BACKLASH

MAIN FEATURES OF THE 3rd GENERATION

- Mode of Operation: Homing Mode, Profile Velocity Mode, Profile Position Mode, Profile Torque Mode, Cycle Sync Position Mode, Cycle Sync Velocity Mode, Cycle Sync Torque Mode.
- Touch Probe Function.
- Speed frequency response of 2.2 kHz [3.3 times that of previous RS1 model!]
- Safe Torque Off (STO) function - SIL3/IEC61508. Performance Level - PL = e/ISO13849-1
- RS3A03A2HA4W00P covers 100W, 200W, 400W, 750W, 1000W, 1500W motors



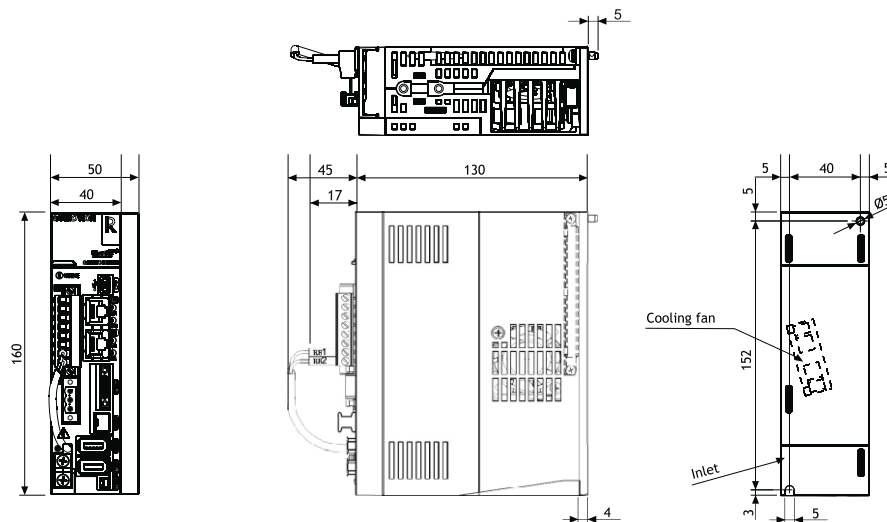
Dimensions:
(50x160x130)
Model RS3A03A2HA4W00



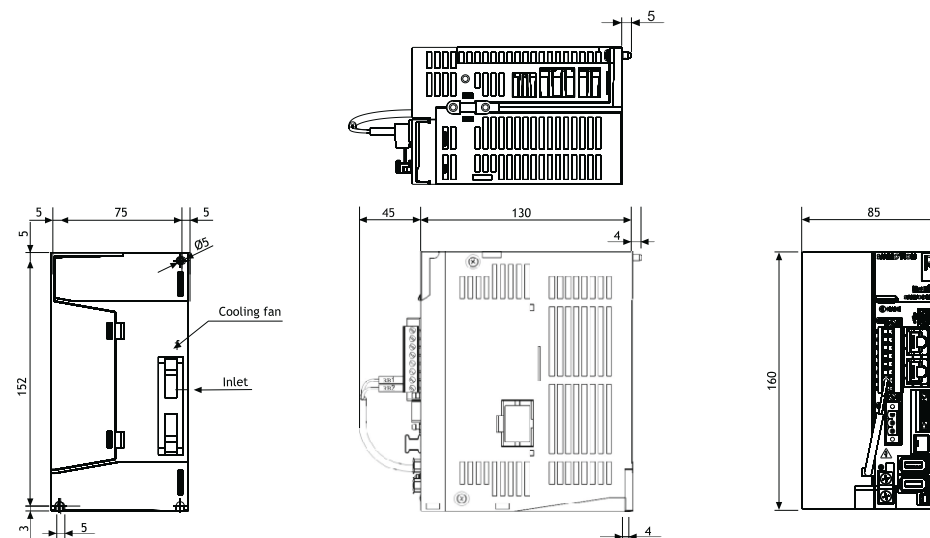
TECHNICAL DATA	EtherCAT Control		
	MODEL	RS3A03A2HA4W00	RS3A05A2HA4W00
MAX CURRENT	30 Amp	50 Amp	100 Amp
MOTOR OUTPUT STAGE	IGBT, PWM control, sinusoidal current		
POWER SUPPLY VOLTAGE	Single-phase or three-phase (configurable by the user) 200 VAC or 230 VAC (+10%, -15%) 50/60 Hz (± 3 Hz)		
LOGIC SUPPLY VOLTAGE	Single-phase from 200 VAC to 230 VAC (+10%, -15%) 50/60 Hz (± 3 Hz)		
DIMENSIONS (mm)	50x160x130	85x160x130	100x235x220
MASS (kg)	0.9	1.65	4.2

“RS3A” SERIES AC SERVOAMPLIFIERS:
EtherCAT VERSION OUTLINE DRAWINGS

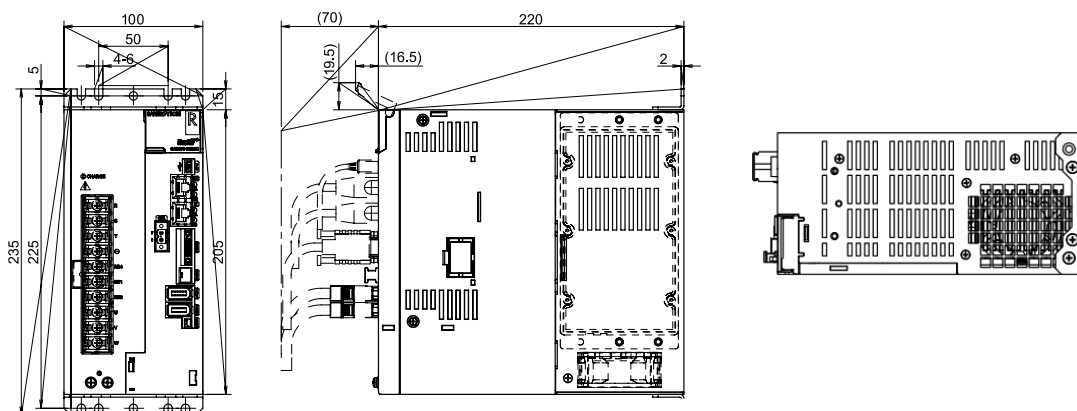
RS3A03A2HA4W00



RS3A05A2HA4W00



RS3A10A2HA4W00



Dimensions mm.