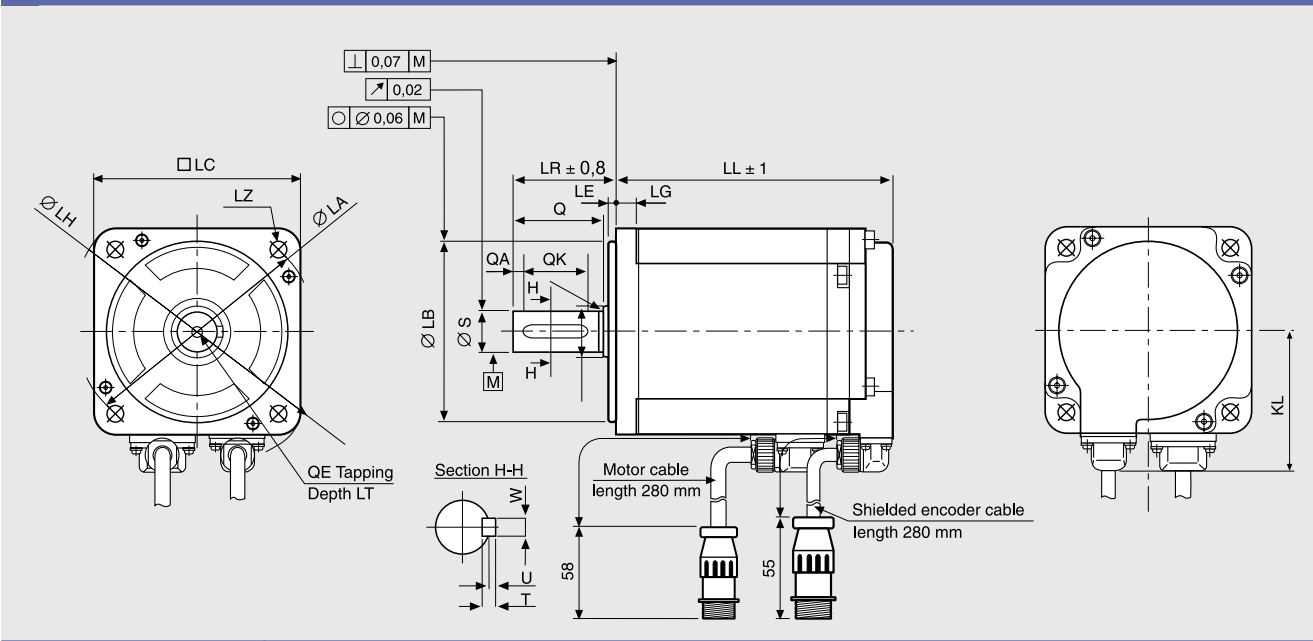


R2AAB8100HXH29M (R2AAB8100HCH29M) SANYO DENKI SANMOTION



Dimensions (Unit:mm)

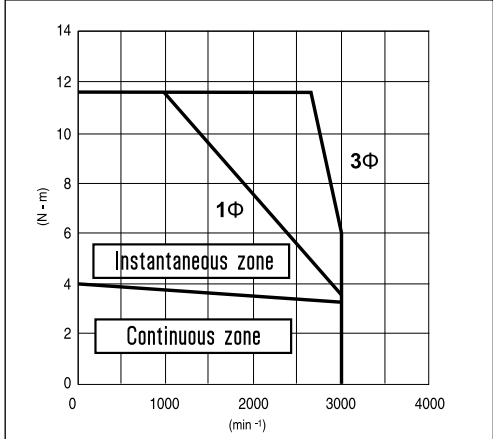


without brake	with brake	LG	KL	LA	LB	LE	LH	LC	LZ	LR	S	Q	QA	QK	W	T	U	QE	LT
LL	LL	8	59.4	100	80-0.003	3.0	115.5	86	4-Ø6.6	35	16-0.011	30	2	25	5	5	2	M5	12

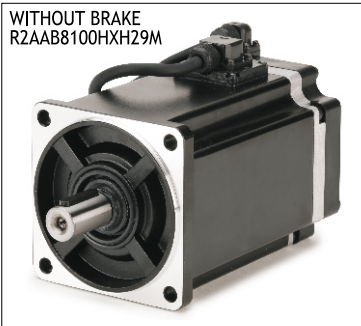
FEATURES

MODEL	R2AAB8100HXH29M	
NOMINAL POWER	(W)	1000
NOMINAL SPEED	(rpm)	3000
MAXIMUM SPEED	(rpm)	3000
NOMINAL TORQUE	(Nm)	3.180
STALL TORQUE	(Nm)	3.920
MAXIMUM TORQUE	(Nm)	11.60
INERTIA	(Kg*m ²)	2.383×10 ⁻⁴
ENCODER	(imp./rev)	131072 (17 bit)
PROTECTION DEGREE		IP67*
WEIGHT	[version with brake] (Kg)	3.50 [4.30]

TORQUE CURVE R2AAB8100H [1kW] + RS3A03

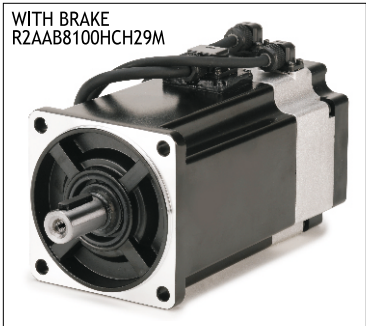


* Protection degree IP67 (except for the shaft hole and the edge of the cable).



Indicated performances refer to motor controlled by related new RS3 standard and EtherCat amplifiers.

1Φ torque curve with single phase power supply
3Φ = torque curve with three-phase power supply



Suggested amplifiers: RS3A03A0AL0W0P, RS3A03A2HA4W0P, RS3A03A0AL2



R.T.A. s.r.l.
Via E. Mattei - Fraz- Divisa
27020 Marcignago (PV) (Italy)
T +39.0382.929.855
F +39.0382.929.150
www.rta.it

R.T.A. Deutschland GmbH
Bublitzter Strasse 34, 40599
Duesseldorf (Germany)
T +49.211.749.668.60
F +49.211.749.668.66
www.rta-deutschland.de

R.T.A. IBERICA
C/Generalitat 22, Local 1
08850 Gava - Barcelona (Spain)
T +34 936.388.805
F +34 936.334.595
www.rta-iberica.es

R.T.A. INDIA Pvt
Teerth Business Center 3rd Floor, Unit No. 7,
Block EL-15, MIDC Bhosari Pimpri-Chinchwd,
Pune 411026 (India)
Tel. +91 9422507445
www.rta-india.in

R.T.A. s.r.l. PAVIA (ITALY) SANYO DENKI CO., Ltd (JAPAN)