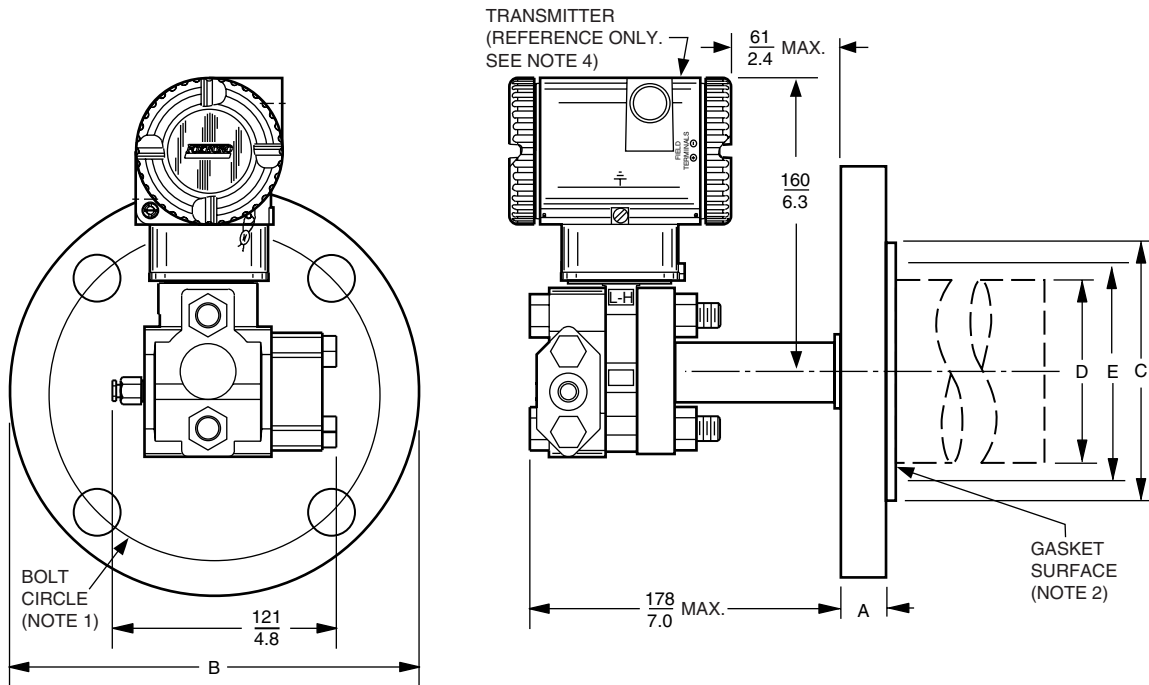
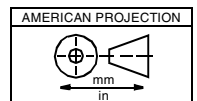


**PSFLT Transmitter-Mounted Pressure Seals  
with Flanged Process Connection**  
For use with I/A Series® Pressure Transmitter  
Models IDP10 and IGP20



**NOTES:**

1. FOUR-HOLE FLANGE SHOWN. REFER TO BOLT HOLE CONFIGURATION AND DIMENSIONAL DATA FURTHER IN DOCUMENT.
2. GASKET SURFACE HAS SERRATED FINISH (EXCEPT FOR HASTELLOY AND TANTALUM SEALS).
3. EXTENDED SENSOR IS SUITABLE FOR A SCHEDULE 80 UNLINED PIPE NOZZLE.
4. FOR TRANSMITTER DIMENSIONS, REFER TO THE TRANSMITTER DIMENSIONAL PRINT.

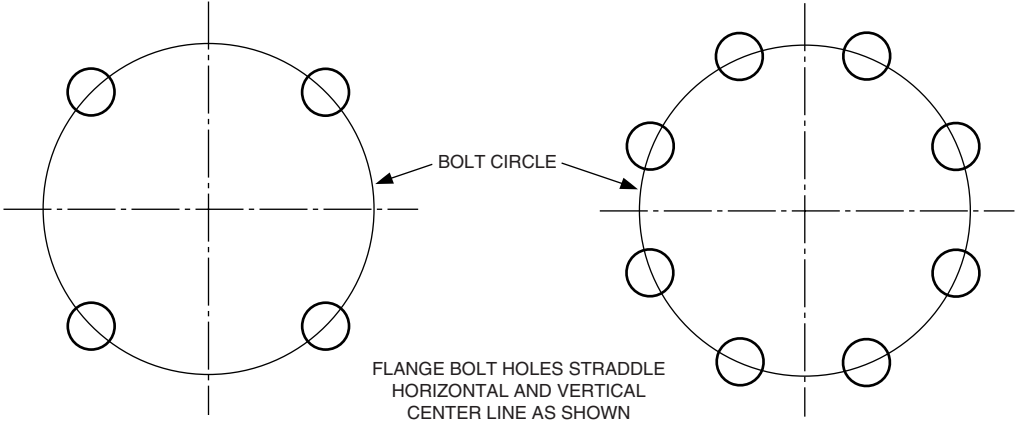


For dimensional information specific to your sales order, refer to Certified Dimensional Prints (CDPs) which can be ordered from your Foxboro Sales Office or authorized factory representative.

FLANGE BOLT HOLE CONFIGURATIONS

FOUR BOLT HOLES

EIGHT BOLT HOLES



DIMENSIONAL DATA

Nominal Flange Size	Flange Pressure Rating	Dimensional Data								
		Number of Bolt Holes	Bolt Hole Dia.	Bolt Circle Dia.	Dim. A		Dim. B	Dim. C(c)	Dim. D(d)	Dim. E(e)
					CS(a)	SS(b)				
2 in	Class 150	4	<u>19</u> 0.75	<u>121</u> 4.75	<u>24</u> 0.9	<u>19</u> 0.8	<u>152</u> 6.0	<u>92</u> 3.62	<u>48.3</u> 1.90	<u>58.4</u> 2.3
	Class 150(g)	4	<u>19</u> 0.75	<u>121</u> 4.75	<u>24</u> 0.9	<u>19</u> 0.8	<u>152</u> 6.0	<u>92</u> 3.62	<u>47.3</u> 1.86	
	Class 300	8	<u>19</u> 0.75	<u>127</u> 5.00	<u>27</u> 1.1	<u>22</u> 0.9	<u>165</u> 6.5	<u>92</u> 3.62	<u>48.3</u> 1.90	<u>58.4</u> 2.3
	Class 600	8	<u>19</u> 0.75	<u>127</u> 5.00	<u>32</u> 1.2	<u>32</u> 1.2	<u>165</u> 6.5	<u>92</u> 3.62	<u>48.3</u> 1.90	
3 in	Class 150	4	<u>19</u> 0.75	<u>152</u> 6.00	<u>29</u> 1.1	<u>24</u> 0.9	<u>191</u> 7.5	<u>127</u> 5.00	<u>72.4</u> 2.85	<u>88.9</u> 3.5
	Class 150(h)	4	<u>19</u> 0.75	<u>152</u> 6.00	<u>29</u> 1.1	<u>24</u> 0.9	<u>191</u> 7.5	<u>127</u> 5.00	<u>70.9</u> 2.79	
	Class 300	8	<u>22</u> 0.88	<u>168</u> 6.62	<u>33</u> 1.3	<u>28</u> 1.1	<u>211</u> 8.3	<u>127</u> 5.00	<u>72.4</u> 2.85	<u>88.9</u> 3.5
	Class 600	8	<u>22</u> 0.88	<u>168</u> 6.62	<u>38</u> 1.5	<u>38</u> 1.5	<u>211</u> 8.3	<u>127</u> 5.00	<u>72.4</u> 2.85	
4 in(f)	Class 150	8	<u>19</u> 0.75	<u>191</u> 7.50	<u>29</u> 1.1	<u>24</u> 0.9	<u>229</u> 9.0	<u>152</u> 6.00	<u>94.0</u> 3.70	
	Class 300	8	<u>22</u> 0.88	<u>200</u> 7.88	<u>37</u> 1.4	<u>32</u> 1.2	<u>254</u> 10.0	<u>152</u> 6.00	<u>94.0</u> 3.70	
	Class 600	8	<u>25</u> 1.00	<u>216</u> 8.50	<u>44</u> 1.8	<u>44</u> 1.8	<u>274</u> 10.8	<u>152</u> 6.00	<u>94.0</u> 3.70	
DN50 (50 mm)	PN 10/40	4	<u>18</u> 0.71	<u>125</u> 4.92	<u>23</u> 0.9	<u>20</u> 0.8	<u>165</u> 6.5	<u>102</u> 4.02	<u>48.3</u> 1.9	<u>58.4</u> 2.3
DN80 (80 mm)	PN 10/40	8	<u>18</u> 0.71	<u>160</u> 6.30	<u>27</u> 1.1	<u>24</u> 0.9	<u>200</u> 7.9	<u>138</u> 5.43	<u>72.4</u> 2.85	<u>88.9</u> 3.5
DN100(f) (100 mm)	PN 10/16	8	<u>18</u> 0.71	<u>180</u> 7.09	<u>23</u> 0.9	<u>20</u> 0.8	<u>220</u> 8.7	<u>152</u> 6.00	<u>94.0</u> 3.7	
	PN 25/40	8	<u>22</u> 0.87	<u>190</u> 7.48	<u>27</u> 1.1	<u>24</u> 0.9	<u>235</u> 9.3	<u>152</u> 6.00	<u>94.0</u> 3.7	

- (a) Dimensions for Carbon Steel Flanges
- (b) Dimensions for Stainless Steel Flanges
- (c) OD of Raised Face (Gasket Surface)
- (d) Maximum Diameter of Extension Tube on Extended Mount Seal
- (e) Maximum Diameter of Diaphragm on Flush Mount Seal
- (f) Extended Mount Only
- (g) With Optional Feature -D2
- (h) With Optional Feature -D3

33 Commercial Street  
Foxboro, MA 02035-2099  
United States of America  
[www.foxboro.com](http://www.foxboro.com)  
Inside U.S.: 1-866-PHON-IPS  
(1-866-746-6477)  
Outside U.S.: 1-508-549-2424  
or contact your local Foxboro  
representative.  
Facsimile: 1-508-549-4999

Foxboro and I/A Series are registered trademarks of Invensys Systems, Inc.  
Invensys is a trademark of Invensys plc.  
All other brand names may be trademarks of their respective companies.

Copyright 1999-2001 Invensys Systems, Inc.  
All rights reserved

MB 190

Printed in U.S.A

1101