

PROGRAMMABLE CONVERTER

Pt100Ω input

DISAI
Automatic Systems
T-962 448 450 www.disai.net

TPI Pt100

▶ A range of measure interfaces fully programmable on front face with the micro-console (universal mini-console clipped on front face).

- **Input : Pt100 3 wires**
- Analog insulated output, programmable in 0-4-20 mA active or passive current, or in 0-10 V voltage.

Environment

- ▶ Operating temperature : -10°C to +50°C.
- ▶ Storage temperature : -20°C to +70°C.
- ▶ **CE** Marking



Functions

- ▶ Sensor rupture detection.
- ▶ Typical response time on the analog output : 150ms.
- ▶ Insulation Input/Output/Power supply
- ▶ Self-zero, self-calibration and self-diagnosis
- ▶ Mode driver : the analog output is piloted by the micro-console.
- ▶ Function input measure simulation

Programming

Programming with the micro-console

This μ console clipped on the front face allows measure visualising on an alphanumeric electroluminescent 4-digit display, or quick programme modifications via a 4-key keyboard.

It also allows teleloading of a programming file to other products of the range.

Coding

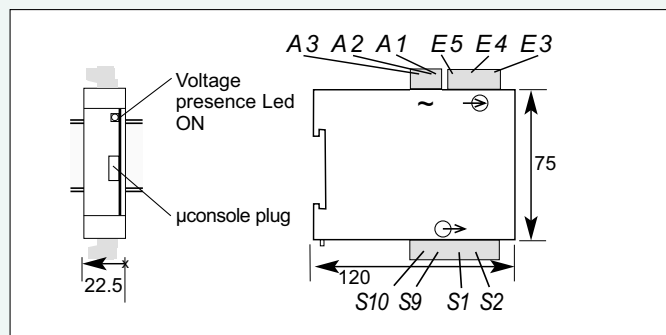
Type	TPI Pt100 - 2		
input :		Power supply :	
Pt100 : TPI Pt100	3	Low voltage	
	2	High voltage	

Ordering example :

For a converter with Pt100 input and one analog output, in 230 Vac power supply; request reference :

TPI Pt100 -2

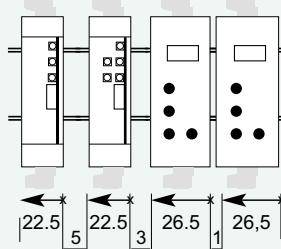
Dimensions



Case : (H x L x D) 75 x 22.5 x 120 mm.
with μ console : 80 x 26.5 x 130 mm

Self-extinguishing case in black UL 94VO ABS.

Mounting in electrical switchbox : latching on symmetrical DIN rail. *Rack version : consult with us.*



To insert the μ console : mount the instruments vertically (on horizontal DIN rail) and provide a 5mm space-ment.

Input

INPUT Type	Measure range adjustable from :	Intrinsic error	μ console resolution	Input impedance
Sensor PT100 Ω ▲* 3 wires, standard IEC 751 (DIN 43760)	°C °F -200/850 -328/1562	< \pm 0.1% of MR	0.1°C / 0.1°F	Current 250 μ A

* Line resistance <25 Ω

MR Measurement range

▲ A 12 μ A pulsed current allows line or sensor rupture detection

Thermic drift < 150ppm /°C

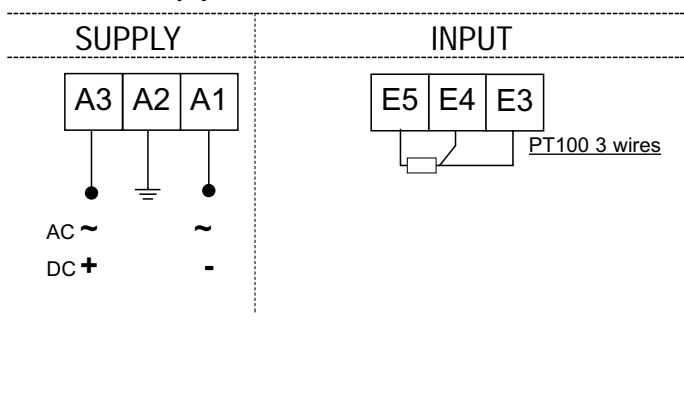
Output

OUTPUT Type	Features
1 Analog	Current active/passive Current : Direct or inverted 0-20mA Load impedance \leq Lr 600 Ω
	Voltage Voltage : Direct or inverted 0-10V Load impedance \geq Lr 2000 Ω

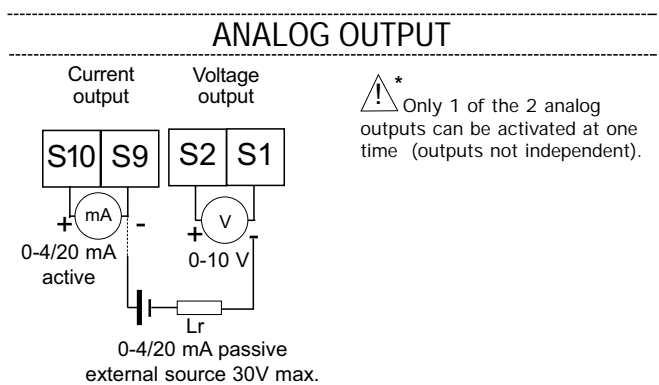
Power supply

Code	Type of SUPPLY	Max. operating range	Power draw	Dielectrique withstanding
3	Low voltage	20 - 40 V _{AC} & 20 - 64 V _{DC}	3 W max. 5 VA max.	2KV-50Hz-1min.
2	High voltage	90 - 270 V _{AC} & 88 - 350 V _{DC}		

Upper connetors



Lower connector



This instrument is dedicated to industrial applications. It has to be mounted in an electrical switchbox, or equivalent.

