

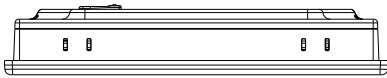
Panel PC with 7" TFT Display



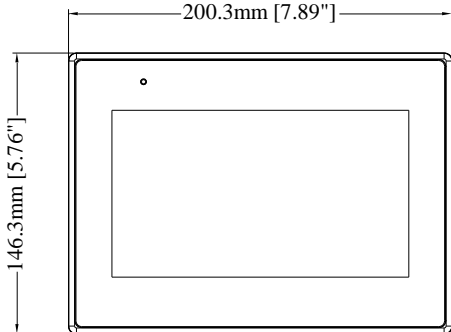
◆ Features

- 7" 800x480 TFT LCD, LED Backlight
- Slim design
- PCB coating process ensures high reliability to resist from corrosion in harsh environment
- Com1 / Com3 RS485 dual isolation design ensures reliable operation in complex grounding application
- Fan-less Cooling System
- COM1 and COM3 [RS485]2W support MPI 187.5K, please use one at one time
- NEMA4/IP65 Compliant Front Panel

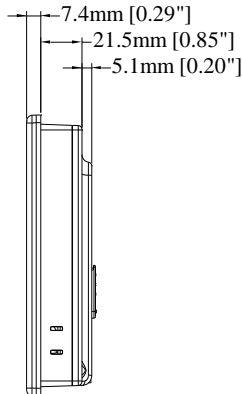
| | | |
|----------------------|---------------------------------|---|
| Display | Display | 7" TFT |
| | Resolution | 800 x 480 |
| | Brightness (cd/m ²) | 350 |
| | Contrast Ratio | 500:1 |
| | Backlight Type | LED |
| | Backlight Life Time | >30,000 hr. |
| | Colors | 16M |
| Touch Panel | Type | 4-wire Resistive Type |
| | Accuracy | Active Area Length(X)±2%, Width(Y)±2% |
| Memory | Storage(MB) | 128 |
| | RAM (MB) | 128 |
| Processor | | Cortex A8 32Bit RISC 600MHz Processor |
| I/O Port | USB Host | USB 2.0 x 1 |
| | Ethernet | 1 RJ45 port (10/100 Base-T) |
| | COM Port | Com1: RS-232/RS-485 2w/4w, Com3:RS-485 2w |
| RTC | | Built-in |
| Power | Input Power | 24±20% VDC |
| | Power Consumption | 350mA@24VDC |
| | Voltage Resistance | 500VAC (1 min) |
| | Isolation Resistance | Exceed 50MΩ at 500VDC |
| | Vibration Endurance | 10 to 25Hz(X,Y,Z direction 2G 30 minutes) |
| Specification | Enclosure | Plastic |
| | Dimensions WxHxD | 200.3 x 146.3 x 34mm |
| | Panel Cutout (mm) | 192 x 138 |
| | Weight (kg) | Approx.0.6 kg |
| Environment | Protection Structure | NEMA4 / IP65 |
| | Storage Temperature | -20°~60°C (-4° ~ 140°F) |
| | Operating Temperature | 0° ~ 50°C (32° ~ 122°F) |
| | Relative Humidity | 10% ~ 90% @ 40°C (non-condensing) |
| Certificate | CE | EN 55022:2010 Class B EN 55024:2010 EN 61000-3-2:2006+A2:2009 EN 61000-3-3: 2008 AS/NZS CISPR 22:2009+A1:2010 |
| | UL | UL508 Type 4X |
| Software | | EasyBuilder Pro V3.00.01 or later versions |



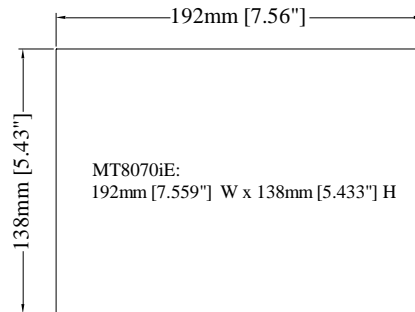
Top View



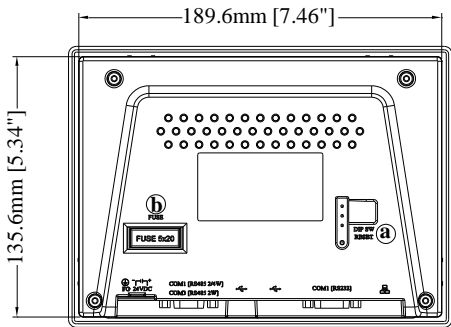
Front View



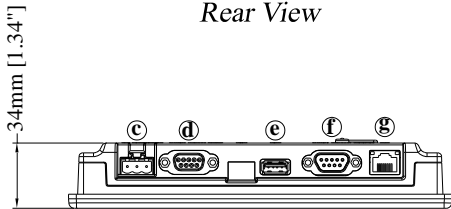
Side View



Cutout Dimensions



Rear View



Bottom View

| | |
|---|---------------------------------|
| a | DIP SW & Reset Button |
| b | Fuse |
| c | Power Connector |
| d | Com1 RS485 2W/4W, Com3 RS485 2W |
| e | USB Host Port |
| f | Com1 RS232 |
| g | Ethernet Port |

Ordering Information

□ MT8070iE1:

7" 800x480 TFT LCD HMI, Built-in 128MB flash memory/128MB DDR2 RAM

COM PORT1

| PIN# | Symbol | COM1[RS232] |
|------|----------|----------------------|
| 1 | Not used | |
| 2 | RxD | Received Data |
| 3 | TxD | Transmitted Data |
| 4 | Not used | |
| 5 | GND | Signal Ground |
| 6 | Not used | |
| 7 | RTS | Ready to send output |
| 8 | CTS | Clear to send input |
| 9 | Not used | |

COM PORT2

| PIN# | Symbol | COM1 [RS485]2w | COM1 [RS485]4w | COM3 [RS485] |
|------|----------|----------------|----------------|--------------|
| 1 | Rx- | Data- | Rx- | |
| 2 | Rx+ | Data+ | Rx+ | |
| 3 | Tx- | | Tx- | |
| 4 | Tx+ | | Tx+ | |
| 5 | GND1 | Ground 1 | | |
| 6 | Not used | | | |
| 7 | Data- | | | Data- |
| 8 | Data+ | | | Data+ |
| 9 | GND2 | | | Ground 2 |