

HMI with 4.3" TFT Display

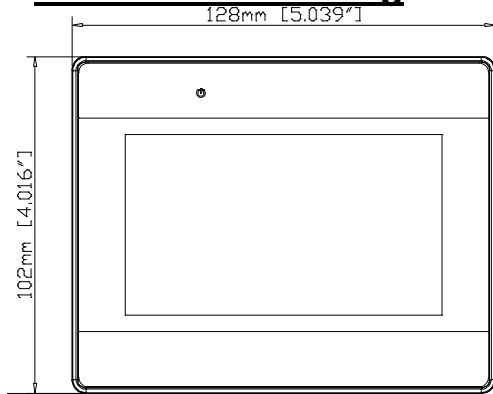


◆ Features

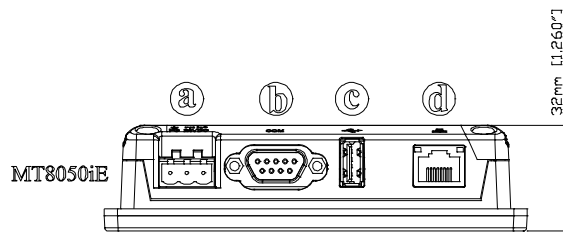
- 4.3" 480x272 TFT LCD, LED Backlight
- Slim design
- PCB coating process ensures high reliability to resist from corrosive in harsh environment
- Fan-less Cooling System
- COM1 and COM3 [RS485]2W support MPI 187.5K, please use one at one time
- NEMA4/IP65 Compliant Front Panel

Display	Display	4.3" TFT
	Resolution (WxH dots)	480 x 272
	Brightness (cd/m ²)	500
	Contrast Ratio	500:1
	Backlight Type	LED
	Backlight Life Time	>30,000 hrs.
	Colors	16M
Touch Panel	Type	4-wire Resistive Type
	Accuracy	Active Area Length(X)±2%, Width(Y)±2%
Memory	Storage(MB)	128
	RAM (MB)	128
Processor		32 bits RISC Cortex-A8 600MHz
I/O Port	USB Host	USB 2.0 x 1
	Ethernet	1 RJ45 port (10/100 Base-T)
	COM Port	Com1: RS-232/RS-485 2w/4w, Com3:RS-485 2w
RTC		Built-in
Power	Input Power	24±20%V _{DC}
	Power Consumption	300mA@24VDC
	Voltage Resistance	500VAC (1 min)
	Isolation Resistance	Exceed 50MΩ at 500VDC
	Vibration Endurance	10 to 25Hz(X,Y,Z direction 2G 30 minutes)
Specification	Enclosure	Plastic
	Dimensions WxHxD	128 x 102 x 32mm
	Panel Cutout (mm)	119 x 93
	Weight (kg)	Approx.0.25 kg
Environment	Protection Structure	NEMA4 / IP65
	Storage Temperature	-20°~60°C (-4° ~ 140°F)
	Operating Temperature	0° ~ 50°C (32° ~ 122°F)
	Relative Humidity	10% ~ 90% @ 40°C (non-condensing)
Certificate	CE	CE marked
Software		EasyBuilder Pro V4.00.01 or later versions

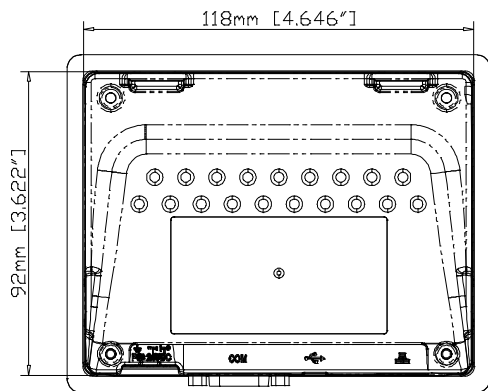
◆ Dimensions Drawing



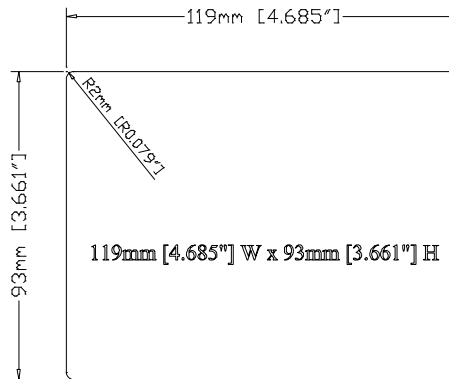
Front View



Bottom View

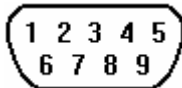


Rear View



Cutout Dimensions

Pin Designations



Pin assignment of the 9 Pin, Male, D-sub
Com1[RS-232], Com1[RS-485 2w/4w],
Com3[RS-485]

Pin#	Com1[RS485]		Com1[RS232]	Com3[RS485]
	4 wire	2 wire		
1	Rx-	Data-		
2	Rx+	Data+		
3	Tx-			
4	Tx+			
5	Signal Ground (GND)			
6			Transmit(TxD)	
7				Data-
8				Data+
9			Receive(RxD)	

a	Power Connector
b	Com1: RS-232/RS-485 2w/4w, Com3:RS-485 2w
c	USB Host
d	Ethernet Port

Ordering Information

☐ **MT8050iE:**
4.3" TFT LCD HMI, 128MB flash
memory/128MB DDR2 RAM on board.