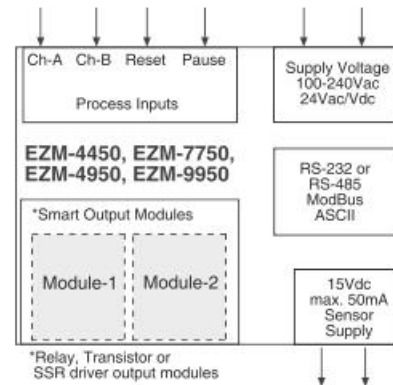




EZM-7750 EZM-4450  
EZM-9950 EZM-4950



- 6 digits process (PV) and 6 digits Set (SV) Value Display
- Reset , Pause and ChA-ChB Counting Inputs
- Configurable Counter, Totalizer Counter, Batch Counter, Timer, Chronometer, Frequencycounter and Tachometer
- Programmable Time Bases for Timer and Chronometer
- Operation with Automatic and Manual Reset
- Multiplication Coefficient and Decimal Point Position
- Absolute or Offset Operation in Counter Function
- Different Alarm Alternatives in Frequencycounter and Cycle Measuring Functions
- INC, DEC, INC / INC, INC / DEC, UP / DOWN, x1 / x2 / x4 Counting with Phase Shifting Property in Counter
- RS-232 (standard) or RS-485 (optional) Serial Communication with Modbus ASCII or RTU Protocol



## Specification

### Input

Counting Inputs: Ch-A, Ch-B (Switch, proximity, capacitive sensor or encoder can be connected.)  
Reset Input: Switch, proximity or capacitive sensor  
Pause Input: Switch, proximity or capacitive sensor  
Input Type Selection: It can be selected NPN/PNP with DIP switch that is located on the device.  
Reset Function: Automatic or manual  
Count Input Types: INC, DEC, INC/DEC, INC/INC, UP/DOWN, x1 / x2 / x4 phase shifting (for incremental encoder) counting

### Supply Voltage

100-240Vac (-%15;+10%) 50/60 Hz-6VA  
24Vac (-%15;+10%) 50/60 Hz-6VA  
24Vdc (-%15;+10%) -6W

## Environmental Ratings and Physical Specification

Operating Temperature: 0...50°C  
Humidity: 0-90%RH (none condensing)  
Protection Class: IP65 at front, IP20 at rear

### Dimensions

EZM-4450, 48x48mm, Depth: 116mm  
EZM-7750, 72x72mm, Depth: 87,5mm  
EZM-9950, 96x96mm, Depth: 87,5mm  
EZM-4950, 96x48mm, Depth: 86,5mm

### Output

Output Modules: There are two module sockets for plugging the output modules.

- Relay Output Module
- SSR Output Module (Max.20mA @ 18Vdc)
- Digital(Transistor) Output Module(Max.40 mA @ 18Vdc)