

Bimetal Thermometer Standard series Model A50

WIKA Data Sheet TM 50.03

Applications

- For heating facilities
- Hot water boiler
- Solar power systems

Special Features

- Accuracy class 2
- Nominal size 63, 80, 100 and 160
- Scale ranges from -30 ... 200 °C



Bimetal Thermometer Model A50.20

Description

Nominal size in mm

63, 80, 100 and 160

Temperature element

Coiled bimetal

Design of connection

Stem removable, with set screw

Accuracy class

Class 2 per EN 13190

Pressure rating of thermowell

Approx. 6 bar

Location of stem

Centre back

Case

Model A50.10: Aluminium

Model A50.20: Steel, zinc plated

Connection

Thermowell G ½ B, Cu-alloy

Stem

Model A50.10: Ø 9 mm Aluminium

160 °C or $l_1 > 200$ mm Cu-alloy

Model A50.20: Ø 9 mm Cu-alloy

Thermowell

Length $l_1 = 40, 60, 100, 160, 200, 250, 300$ mm,
Cu-alloy

Dial

Aluminium, white, lettering black

Pointer

Aluminium, black

Window

Acrylic plastic

Zero Adjustment

At bottom of stem

Options

- Other scale ranges
- Stem \varnothing 7 mm, Cu-alloy
- Designs for medical applications on request

Scale ranges

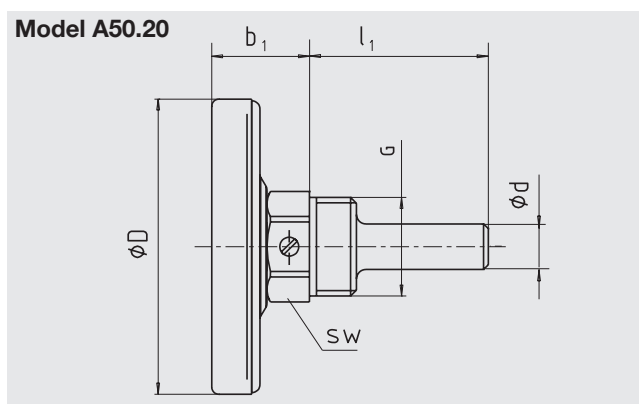
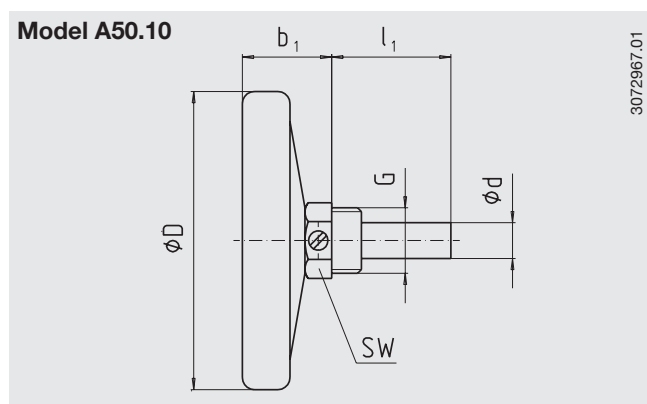
Scale ranges in °C	Scale spacing in °C
-30 ... +50	1
-20 ... +60	1
-10 ... +50	1
0 ... 60	1
0 ... 80	1
0 ... 120	2
0 ... 160	2
0 ... 200	5

Models

NS	Location of stem	Model
63	centre back	A50.10/20
80	centre back	A50.10/20
100	centre back	A50.10/20
160	centre back	A50.10

Dimensions in mm

Standard version



Model A50.10

NS	Dimensions in mm						SW	Weight in kg back
	b_1	$\varnothing d$	$\varnothing D$	G	l_1			
63	23	12 ¹⁾	63	G ½ B	40, 60, 100, 160, 200, 250, 300	21	0.08	
80	25	12 ¹⁾	80	G ½ B	40, 60, 100, 160, 200, 250, 300	21	0.10	
100	30	12 ¹⁾	100	G ½ B	40, 60, 100, 160, 200, 250, 300	21	0.13	
160	32	12 ¹⁾	160	G ½ B	40, 60, 100, 160, 200, 250, 300	21	0.28	

1) $\varnothing d = 11$ with thermowell length $l_1 > 100$

Model A50.20

NS	Dimensions in mm						SW	Weight in kg back
	b_1	$\varnothing d$	$\varnothing D$	G	l_1			
63	23	12 ¹⁾	63	G ½ B	40, 60, 100, 160, 200, 250, 300	21	0.09	
80	23	12 ¹⁾	80	G ½ B	40, 60, 100, 160, 200, 250, 300	21	0.12	
100	23	12 ¹⁾	100	G ½ B	40, 60, 100, 160, 200, 250, 300	21	0.17	

1) $\varnothing d = 11$ with thermowell length $l_1 > 100$

Ordering information

Model / Nominal size / Scale range / Connection / Length of stem l_1 / Options

Modifications may take place and materials specified may be replaced by others without prior notice.
Specifications and dimensions given in this leaflet represent the state of engineering at the time of printing.

