

# Thermomanometer for pressure and temperature measurement Model MFT

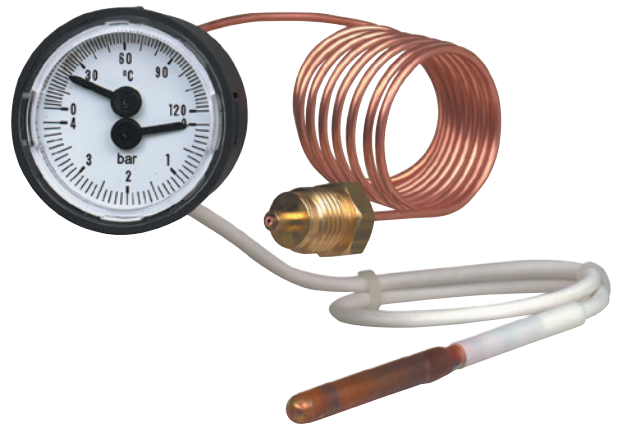
WIKA data sheet PM 01.20

## Applications

- Heating systems
- Combi-boilers with hot water and heating

## Special features

- Combined indication for pressure and temperature
- With capillaries
- Scale range 0 ... 4 bar, 0 ... 120 °C
- Reliable and cost-effective



Thermomanometer model MFT.30.040

## Description

### Nominal size in mm

40, 42, 52

### Working ranges

- Pressure: Steady: 3/4 x full scale value  
Short time: Full scale value
- Temperature: Full scale value

### Measuring elements

Bourdon tube, Cu-alloy

### Connection

Cu-alloy, back mount (BM)

- Pressure: Male thread G 1/4 B (rotatable) with capillary
- Temperature: Capillary, with sensor D6, plastic covered

### Case

Plastic, black, with front flange and lateral snap-fit provisions for panel mounting

### Movement (pressure indication)

Cu-alloy

### Dial

Plastic, white, black lettering

### Pointer

Plastic, black

### Window

Plastic, crystal-clear

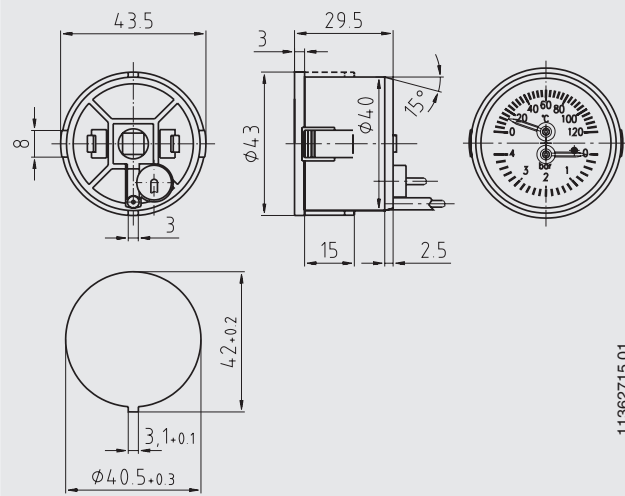
## Options

- Other scale ranges
- Capillary lengths (pressure, temperature), max. 5 m
- Capillary (pressure) plastic covered
- Other temperature sensor dimensions
- Other pressure connections
- Special scales

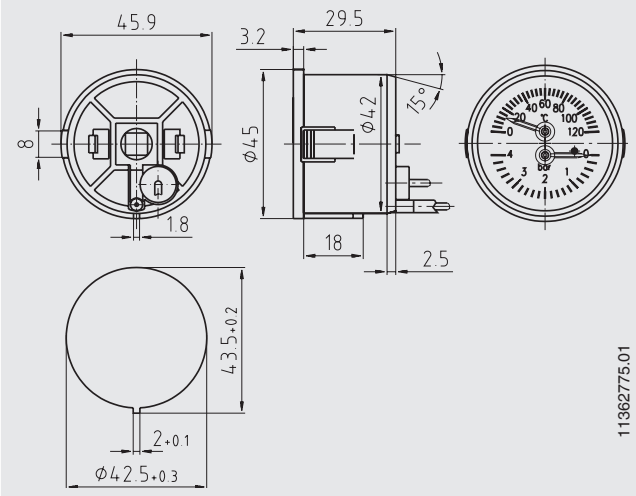
# Dimensions in mm

## Standard version

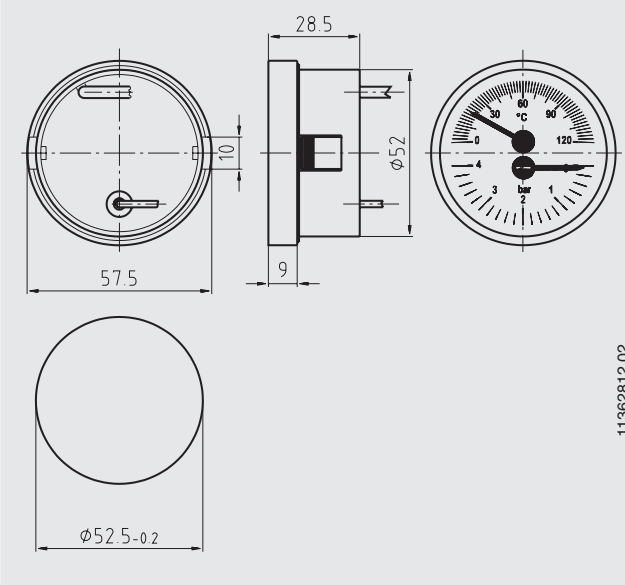
**Model MFT.30.040**



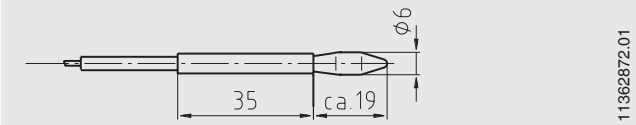
**Model MFT.30.042**



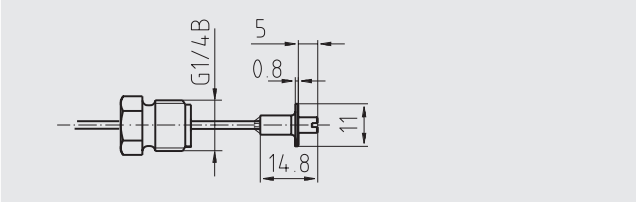
**Model MFT.30.052**



**Temperature sensor**



**Pressure connection**



## Ordering information

Model / Nominal size / Scale range / Connection / Capillary lengths / Options

© 2008 WIKA Alexander Wiegand SE & Co. KG, all rights reserved.  
The specifications given in this document represent the state of engineering at the time of publishing.  
We reserve the right to make modifications to the specifications and materials.



**WIKAI Alexander Wiegand SE & Co. KG**  
Alexander-Wiegand-Straße 30  
63911 Klingenberg/Germany  
Tel. (+49) 9372/132-0  
Fax (+49) 9372/132-406  
E-mail info@wika.de  
www.wika.de