

CURRENT GENERATOR

programmable $\pm 10\ 000$ points

DISAI
Automatic Systems
T. 962 448 450 www.disai.net

G 400

The **G400** is a digital current generator (0-25 mA). Each instrument is equipped on the front face with a five 14 mm high red digits display, whose brightness suits applications in industrial control rooms perfectly.

It has a display scale factor which allows permanent visualisation of the generated current value in display unit.

It also has as **option 2 insulated LOGIC inputs** with programmable functions.



► **Functions :**

- Programmable display scale factor
- Measurement of the current generated on the output (in display unit).
- Entering of the generated value (in display unit).
- Increasing and decreasing of the output signal by pressing of a key.

► **Option LOGIC :**

- (to be specified on order)
- Generating of a specific value by LOGIC inputs
- Increasing and decreasing of the output signal by LOGIC inputs.

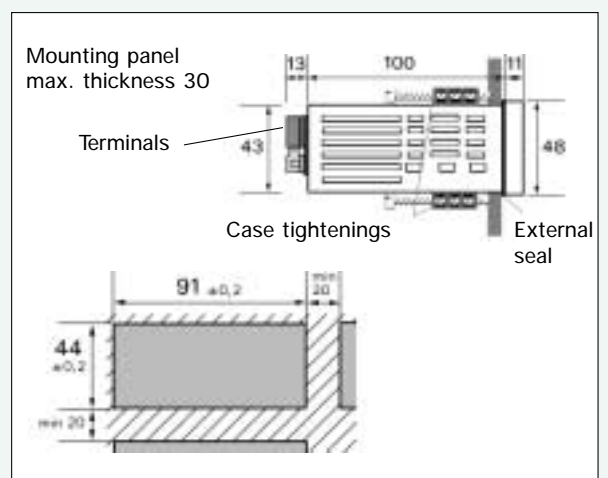
External view

Easy programming on front face with a 4-key keyboard.

- **Display :**
Electroluminescent red (green as option)
 $\pm 10\ 000$ points (14 mm)
- **Case :** Self-extinguishing casing of black UL 94 V0 ABS.
- **Connectors** plug-off terminals on rear face for screwed connections (2.5mm², flexible or rigid)
- **Protection :** Front face : IP 65 Case/terminals : IP20
- **Standards :** Complies with standards EN 50081-2 on emissions and EN 50082-2; immunity (in industrial environment)
EN 61000-4-2 level 3, EN 61000-4-3 level 3,
EN 61000-4-4 level 4, EN 61000-4-6 level 3
CE marking according to Directive EMC 89-336

Dimensions

Case : 96 x 48 x 124 mm (with terminals)



Mounting : on panel; cut out 44 x 91 mm

Weight with / without output board : 250g / 150g.

Technical features

◆ General features

- Accuracy 0.1 % of full scale at +25 °C
- Thermic drift < 150 ppm/°C
- Residual ripple ≤ 0.2 %
- Admissible load $0\Omega < L_r < 450\ \Omega$ (Lr : Load resistance)
- Response time : 40ms
- Insulation : Inputs / Power supply : 2.5 kV eff. 50Hz-1min
Inputs / Output : 2.5 kV eff. 50Hz-1min

◆ 2 insulated LOGIC inputs

- Display hold,
- Decimal point moving,
- Function tare,
- Min. and max. zero reset

◆ Power supply

2 Versions : High Voltage or Low Voltage
(specify on order)

High Voltage : 90...270 VAC 50/60/400 Hz
and 88 ...350 VDC

Low Voltage : 20...53 VAC 50/60/400 Hz
and 20...75 VDC

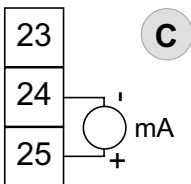
Power draw : 5 W max. 8 VA max.

◆ Environment

- Operating temperature : -5 to 55°C.
- Storage temperature : -30°C to +80°C.
- Relative dampness : 80% annual average.

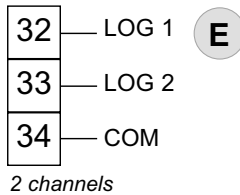
Wiring

OUTPUT CURRENT

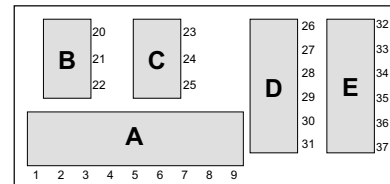
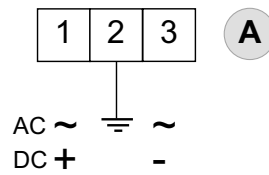


0/25 mA active

OPTION LOGIC INPUTS



POWER SUPPLY



Location of terminals
(view of case rear face)

Coding

- ◆ **Model : G400**
- ◆ **Option :**
tor : 2 LOGIC inputs
- ◆ **Type of supply**
2 : High Voltage
3 : Low Voltage

Ordering example : For a meter with option LOGIC input in 230 VAC power supply, request reference :

G400 tor- 2

*This instrument is dedicated to industrial applications.
It has to be mounted in an electrical switchbox, or equivalent.*

