

# DIGITAL INDICATOR

Digital input - 5 digit display

# DP 485

Protocole ASCII  
Protocole MODBUS

The DP 485 allows display, control and transmission of data from any measurable magnitudes via a digital data link 485 (Protocole Modbus JBus or ASCII).


- ◆ Complete programming of the display format from the front face keyboard. Display format independent of the ASCII pattern : shaping from the instrument.
- ◆ Format of data :  
Modbus : 8 bits with / without parity, 1 start bit, 1 or 2 stop bits.  
ASCII : 7 bits + parity, 1 start bit, 1 or 2 stop bits.



- ◆ Type of data : ASCII characters or real coded in floating decimal point.
- ◆ Slave number programmable from 1 to 255.
- ◆ General diffusion authorized (number 0) (ASCII only).
- ◆ Communication speeds programmable : 1200, 2400, 4800, 9600 and 19200 bauds.

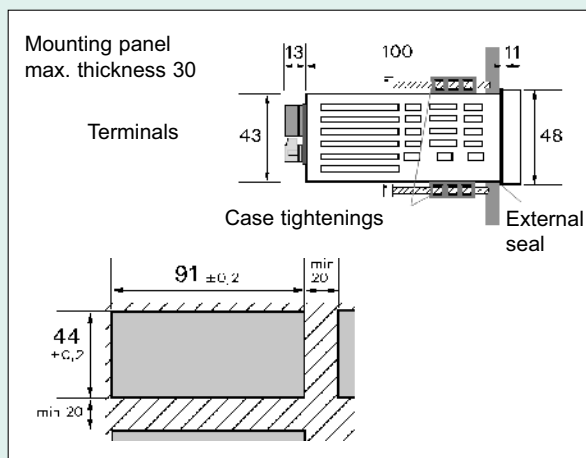
## Introduction

Each instrument is equipped on the front face with a five 14mm high red digits display, whose brightness suits applications in industrial control rooms perfectly.  
Easy programming on front face via a 4-key keyboard.

- Display :  
+100 000 / -10000 points (14 mm)  
Electroluminescent red (green optional)
- Case : Self-extinguishing case of black UL 94 V0 ABS.
- Plug-off connectors on rear face for screwed connections (2.5mm<sup>2</sup>, flexible or rigid)
- Protection : Front face : IP 65      Case / terminals : IP20
-  marking according to Directive EMC 89-336

## Dimensions

**Case** : 96 x 48 x 124 mm (with terminals)  
**Mounting** : on panel; cut out 44 x 91 mm  
**Weight** : 290 g.



# Technical features at 23°C

# Connectings

## ◆ General features

Complies with standards EN 50081-2 on emissions and EN 50082-2; immunity (in industrial environment)

EN 61000-4-2 level 3, EN 61000-4-3 level 3, EN 61000-4-4 level 4, EN 61000-4-6 level 3.

CE marking according to Directive EMC 89-336.

## ◆ Environment

- Operating temperature : -5 to 55°C.
- Storage temperature : -30°C to +80°C.
- Relative dampness : 80% annual average.

## ◆ Power supply

2 Versions : **High Voltage or Low Voltage** (to be specified on order)

High Voltage (2) 90...270 Vac and 88...350 Vdc

Low Voltage (3) 20...53 Vac and 20...75 Vdc

Power draw 5 W max. 8 VA max.

## ◆ Type DP 485

**Type of supply**

**2** : High Voltage

**3** : Low Voltage

Order example : For an indicator with a 230 V<sub>AC</sub> power supply, request reference :

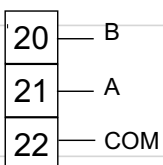
**DP 485 - 2**

*This instrument is dedicated to industrial applications. It has to be mounted in an electrical switchbox, or equivalent.*

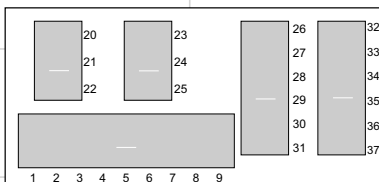
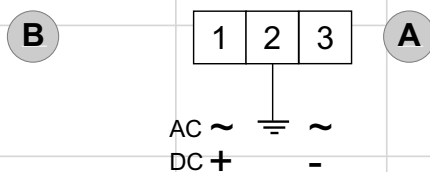
# Wiring

## DIGITAL

### INPUT



## POWER SUPPLY



Location of terminals  
(View of case rear face)