

# EDLM / EDWM

## Explosion-Safe Signal Tower

ATEX &amp; FM

CENELEC Standards

Testing Authority  
NEC Article 505

LED



IP66

Explosion-Safe

NPN/PNP  
Open-collector

EDWM



EDLM



Wall Mount



Horizontal Mount



Direct Mount

### FEATURES

- Complies with with CE according to ATEX and NEC 505 standards.
- Mounting can be done in the Upright, Wall-mount, and Horizontal position
- Voltages available in AC/DC24V, AC120V, AC230V, and free voltage of AC90 -250V
- Easy wire connection terminals to the Signal Tower by opening the bottom
- Different lens colors available for customized designs
- Available in 3 Tier or 5 Tier Stacks
- Ingress protection of IP66

**Innovative maintenance-free Explosion-safe LED Signal Towers with pressure and flame-proof housing, ideal for potentially flammable and hazardously explosive environments.**

### ■ CENELEC (ATEX Directive)

Type	EDLM-302FE	EDLM-312FE	EDLM-323FE	EDWM-502FE	EDWM-5M2FE
Rated Voltage	AC/DC24V	AC 120V	AC 230V	AC/DC 24V	AC 90V - 250V
Signal Line Current (Per LED)	Red/Amber: 52.5mA Green: 20.0mA			Red: 22.6mA Amber: 26.6mA Green: 17.5mA Blue/White: 38.9mA	
Explosion Protection Ratings	⚠ II2G Ex d IIC T6 (Zone 1,2) ⚠ II2D EX tD A21 IP66 T80°C (Zone 21, 22)				
Operating Temperature Range	-20°C - +50°C (no ice)				
Operating Humidity Range	45% - 85% RH (No dew or condensation)				
Ambient Pressure Range	80 - 110kpa				
Lighting Pattern	Flashing (60 ±12 flashes per minute) / Continuous Lighting				
Protection rating	IP66				
Vibration Resistance	9.8m/s <sup>2</sup>				
Mounting	Outdoor & Indoor: Upright			Outdoor & Indoor: Upright and Sideways	
Luminosity	Red: 350mcd Amber: 580mcd Green: 1300mcd			Red/ Amber/ Green: 1000mcd Blue/White: 300mcd	
Mass (Main Body)	4.3kg			4.7kg	
Material	Upper/Lower Housing: Aluminum Alloy (Melamine Baked Finish) Glass Case: Borosilicate Glass Fitting Bracket: Stainless Steel (SUS316) Cable Gland: Brass				

### ■ CENELEC (ATEX Directive)

Type	EDLM-302FA	EDLM-312FA	EDLM-323FA	EDWM-502FA	EDWM-5M2FA
Rated Voltage	AC/DC24V	AC 120V	AC 230V	AC/DC 24V	AC 90V - 250V
Signal Line Current (Per LED)	Red/Amber: 52.5mA Green: 20.0mA			Red: 22.6mA Amber: 26.6mA Green: 17.5mA Blue/White: 38.9mA	
Explosion Protection Ratings	⚠ II2G Ex d IIC T6 (Zone 1,2) ⚠ II2D EX tD A21 IP66 T80°C (Zone 21, 22)				
Operating Temperature Range	-20°C - +50°C (no ice)				
Operating Humidity Range	45% - 85% RH (No dew or condensation)				
Ambient Pressure Range	80 - 110kpa				
Lighting Pattern	Flashing (60 ±12 flashes per minute) / Continuous Lighting				
Protection rating	IP66				
Vibration Resistance	9.8m/s <sup>2</sup>				
Mounting	Outdoor & Indoor: Upright			Outdoor & Indoor: Upright and Sideways	
Luminosity	Red: 350mcd Amber: 580mcd Green: 1300mcd			Red/ Amber/ Green: 1000mcd Blue/White: 300mcd	
Mass (Main Body)	4.3kg			4.7kg	
Material	Upper/Lower Housing: Aluminum Alloy (Melamine Baked Finish) Glass Case: Borosilicate Glass Fitting Bracket: Stainless Steel (SUS316) Cable Gland: Brass				

## EDLM & EDWM are covered by the specifications shown in the **shaded** areas below:

Common Standards for Europe

• The ATEX directive is a CENELEC Standard

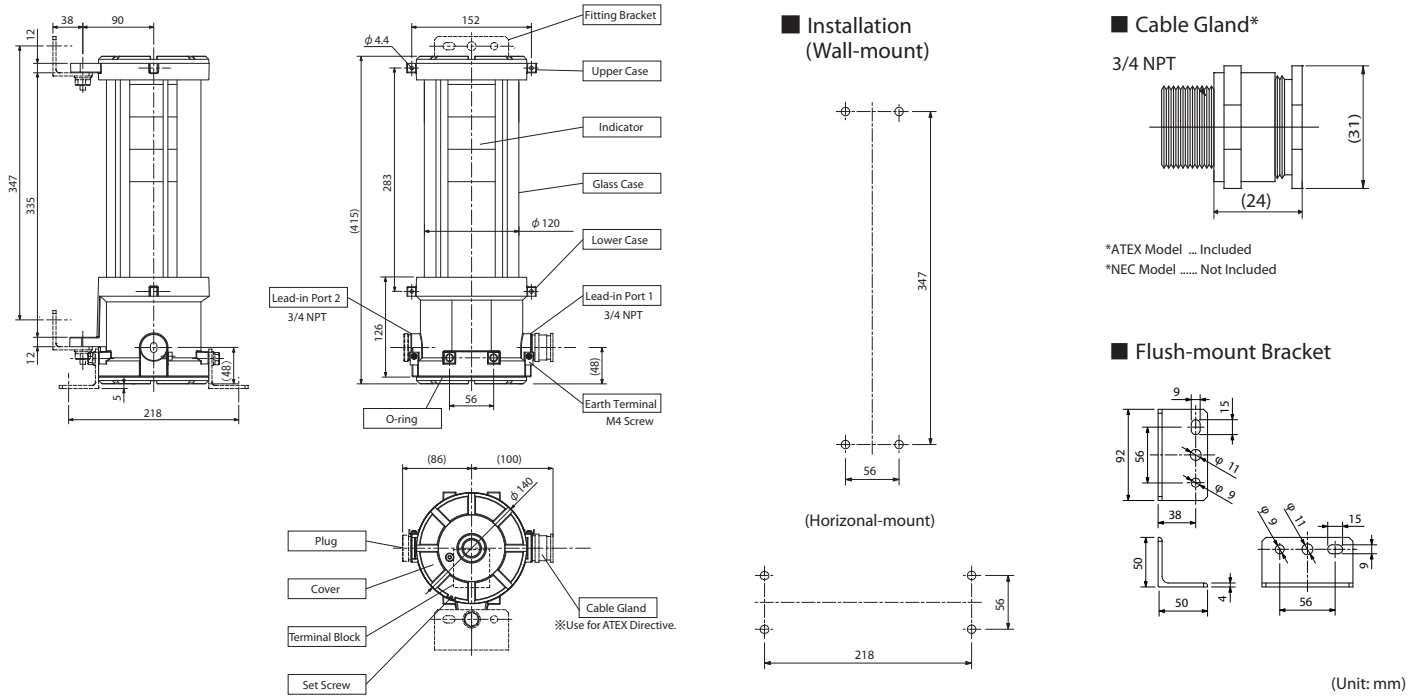
Classification	Standard	PATLITE Models	Constant Exposure	Occasional Exposure	Rare & Temporary
ATEX, IEC/EU Directive 94/9/EC	IEC 60079-10 EN 60079-10	EDLM, EDWM	Zone 0	Zone 1	Zone 2

Common Standards for the USA

• NEC is a National Electrical Code Standard for North America

Classification	Standard	PATLITE Models	Constant Exposure	Occasional Exposure	Rare & Temporary
NEC Article 505	ANSI/NFPA 71	EDLM, EDWM	Zone 0	Zone 1	Zone 2
NEC Article 500	ANSI/NFPA 70	—	Division 1		Division 2

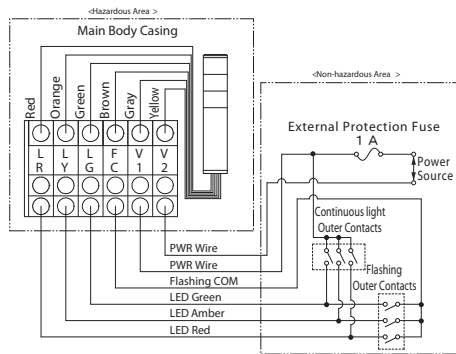
## Dimensions



## Wiring

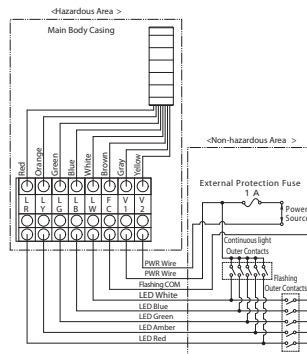
### EDLM (3 Color LED)

- EDLM-302FE/ EDLM-302FA

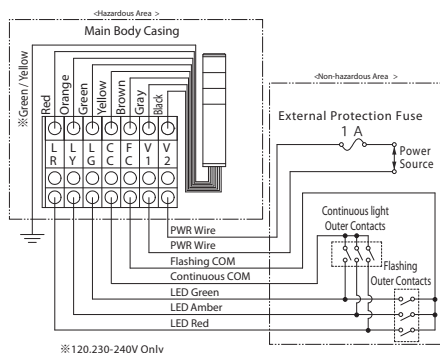


### EDWM (5 Color LED)

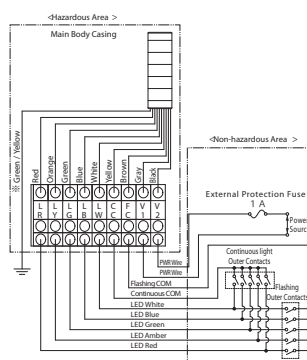
- EDWM-502FE/ EDWM-502FA



- EDLM-312FE/ EDLM-312FA
- EDLM-323FE/ EDLM-323FA



- EDWM-5M2FE/ EDWM-5M2FA



External Protection Fuse (All Models): 250V 1A