

Control and signalling units

Reference: See range



SUMMARY

PAGES

1. Description, use.....	1
2. Range	1
3. Measurement	1
4. Restriction	3



1. DESCRIPTION - USE

Accessories for control and signalling units to associate with a product (legend, shroud...).

2. RANGE

. References

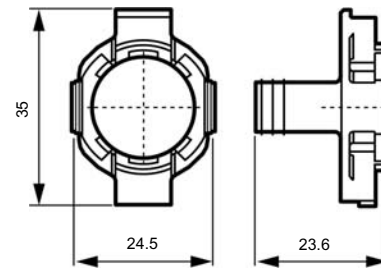
. 331E, 333E, 335E, LWE16100 to LWE16300, LWE00100 to LWE00300, LWP31, LWP33, LWP35, LWP37, LWP39, LWG31, LWG33, LWG35, LWG37, LWG39, LIA1, LIA3, LIA5, LIA7, LIA9, LIB1, LIB3, LIB5, LIB7, LIB9, LWP3, LWG3, LWP4, LWP2, LT01 to LT06, LT21xxx to LT26xxx, LT10 to LT60, LT31xxx to LT 36xxx , LWA0228, LWA0203 to LWA0205, LWA0255, LWA0251 to LWA0253, LWA0223, LWA0225, LWA0240, LWA0230, LWA0216, LWDN230, LWDF230, LWA0201, LWA0237, LWA0229, LWA0215, LWA0234, LWA0219, LWA0220, LWA0238, LWA0226

. Products

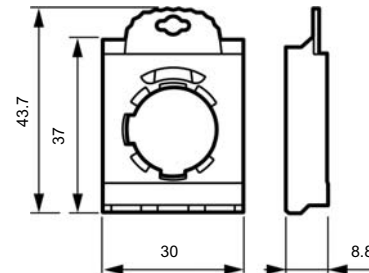
- Round Legend plates
- Frames
- Legend plates engraved or to be engraved
- Complete frames
- Button plates
- Shrouds for reinforced degree of protection IP67
- Guard bezel
- Padlockable guard
- Square frame
- Relay terminal
- Bulbs
- Bulb extractor
- Anti rotation ring
- Blanking plug
- Fixing tool
- Reduction ring (Ø30 / 22)
- DIN rail adaptor
- Padlockable shroud

3. MEASUREMENT

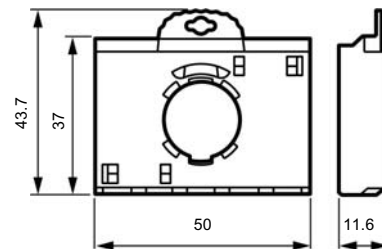
1 position clip



3 position clip

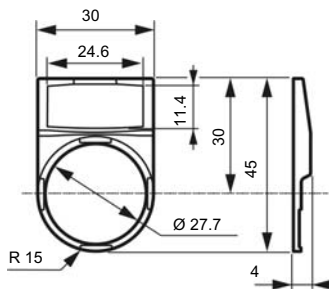


5 position clip

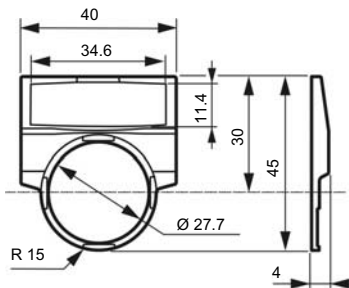


3. MEASUREMENT

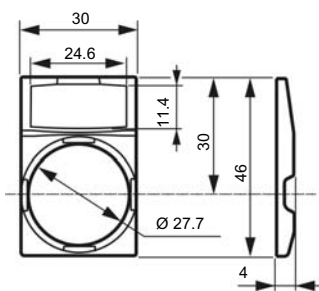
Round frame standard model



Round frame large model

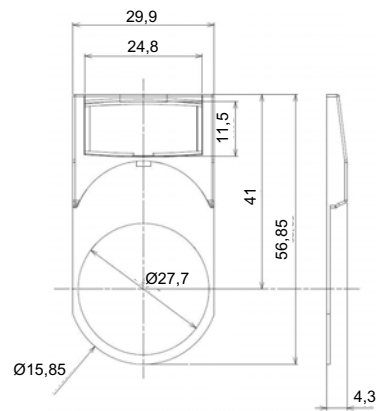


Square frame standard model

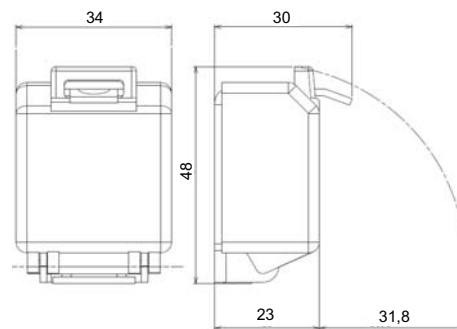


3. MEASUREMENT

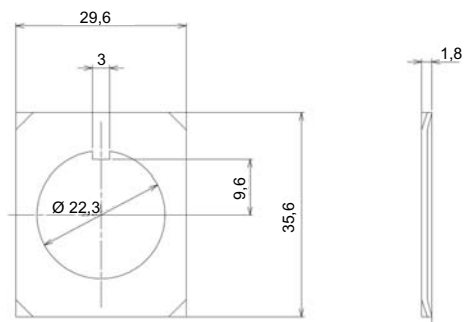
Double and triple touche frame standard model



Padlockable shroud

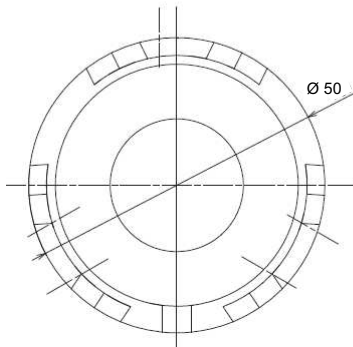
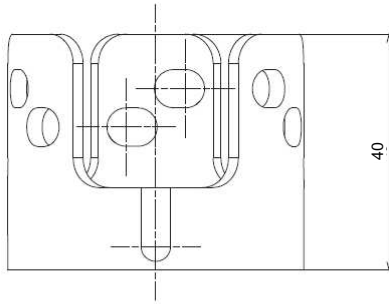


Anti rotation plate



3. MEASUREMENT

Padlockable guard



4. RESTRICTION

- Use of the silicon shroud with spring return and stay-put push button , pilot light only
- The guard bezel can be used with a control station one hole with rear mounting blocks. It is only possible to padlock the 40 mm mushroom head Push-pull and Push-turn. The padlock must be a 6mm diameter shackle
- The padlockable shroud can be used only with the spring return and stay put push button. If it is associated with a control station, it must be associate with front mounting blocks..
- The bulb extractor is used with the one piece pilot light with BA9S lamp.
- The round legend plate like the LWE16100 can't be use with the mushroom head with flag indicator neither with a control station
- The round legend plate like the LWE0016100 can't be used with a control station
- The bulbs LWDN230 and LWDF230 must be used only with the one piece pilot lights.

4. RESTRICTION

- The DIN Rail adaptor LWA0238 can be used only with a 1 or 3 position clip and single contact blocks (not NO/NC) and with only one row. It can't be associated with the L22DU01A
- The reduction ring LWA0219 and LWA0220 can be used with a 3 mm width panel maximum.
- The 5 position clip can't be associated with a mushroom head with flag indicator L22DU01A
- The LWA0225 guard bezel can't be associated with the mushroom head with flag indicator L22DU01A