

# COMPACT ENCLOSURE CS



method for lifting uses the same eyebolts as ATBB cabinets

optional 180° hinges available

CS enclosures can be wall-mounted using standard SDWC-010 mounting brackets as used on ST Box programme.

studs welded on the internal sides enable the fixing of both the vertical and horizontal profiles WTPR - CS and fast fixing brackets WTPR - R

espagnolette 3-point locking system with multiple insert options

door mounting rails fitted as standard provides for both assembly of horizontal mounting rails (WTTO) as well as providing rigidity

nylon mounting block fixed on plate allows for easy installation

newly designed bottom plate provides easy access for cabling (installation of the mounting plate with sliding rails CSPP)

base prepared to accept plinth mounting H= 100mm & 200mm

Ergonomic design and solid construction are the key features of the CS enclosure, providing the possibility to fit standard ETA system accessories as well as offering a large cable entry access for simple cable installation.

# COMPACT ENCLOSURE CS SINGLE DOOR



## COMPACT ENCLOSURE CS SINGLE DOOR

### CHARACTERISTICS

- enclosure: sheet steel 1.5mm
- door: sheet steel 1.5mm (for W=800 sheet steel 2mm)
- mounting panel: sendzimir sheet steel 2.5mm

### FINISH

Epoxy polyester powder coating.

Enclosure and door: RAL 7035 (light grey) textured finish.

### DELIVERY

Enclosure with one door, right hand door hinge (may be changed to the opposite side), mounting panel, bottom with adjustable cable entry, two sendzimir profiles fixed on the door, espagnolette 3-point locking system.

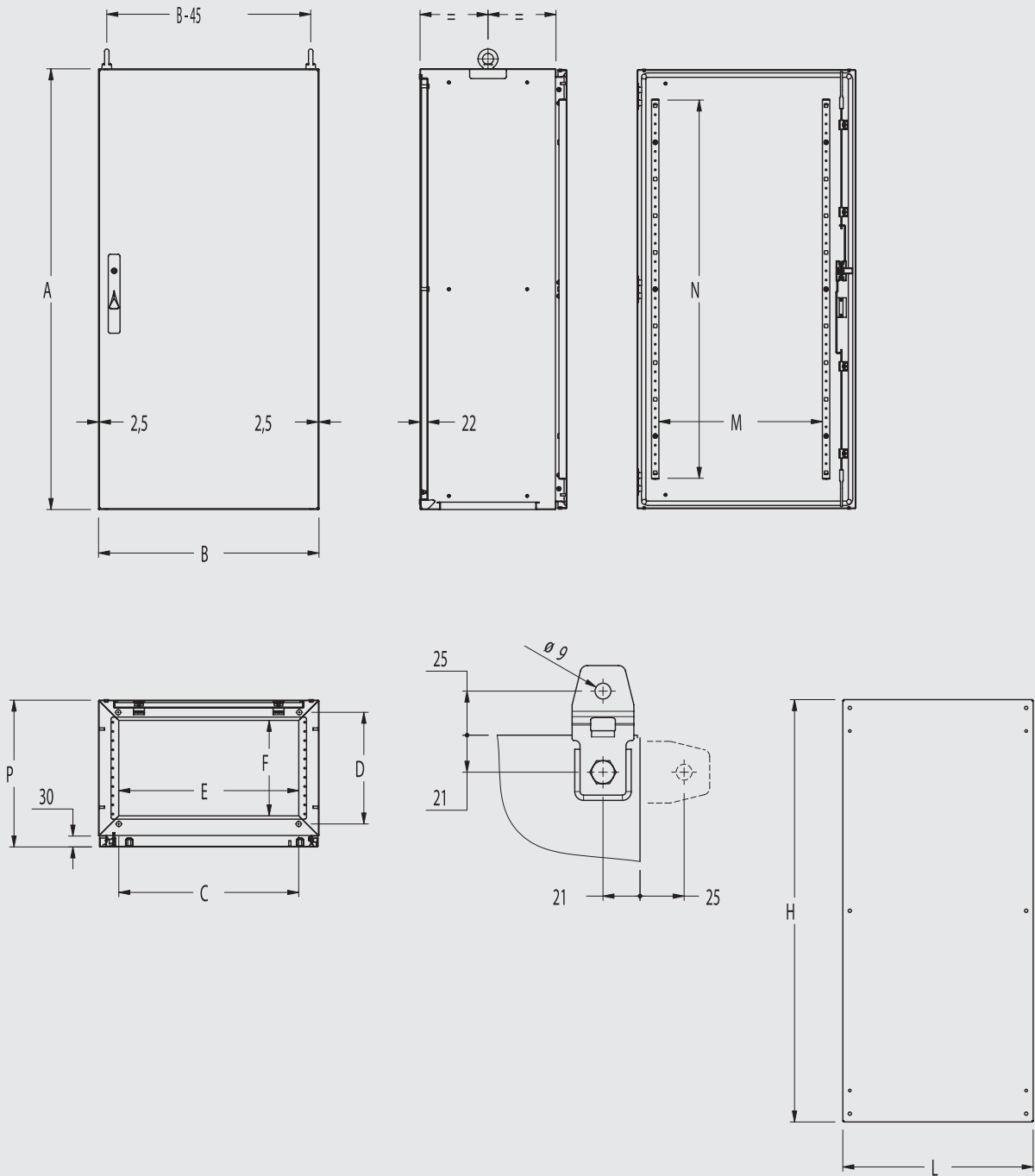
### CONFORMITY AND APPROVAL (APPROVAL PENDING)



RINA

### PROTECTION RATINGS

- IP 55, IK 10 according to IEC EN62208
- Type 12 according to UL508A



### DIMENSIONAL SPECIFICATIONS

CODE CS	DIM. RANGE/CABINET DIM.			PLATE DIM.		OTHER DIMENSIONS			
	B	A	P	L	H	E	F	M	N
CS61240	600	1200	400	518	1150	260	490	1030	445
CS61430	600	1400	300	518	1350	160	490	1230	445
CS61440	600	1400	400	518	1350	260	490	1230	445
CS61240	800	1200	400	718	1150	260	690	1030	645
CS61430	800	1400	300	718	1350	160	690	1230	645
CS61440	800	1400	400	718	1350	260	690	1230	645

# COMPACT ENCLOSURE CS DOUBLE DOOR



## COMPACT ENCLOSURE CS DOUBLE DOOR

### CHARACTERISTICS

- enclosure: sheet steel 1.5mm
- door: sheet steel 1.5mm
- mounting panel: sendzimir sheet steel 2.5mm

### FINISH

Epoxy polyester powder coating.  
Enclosure and door: RAL 7035 (light grey) textured finish.

### DELIVERY

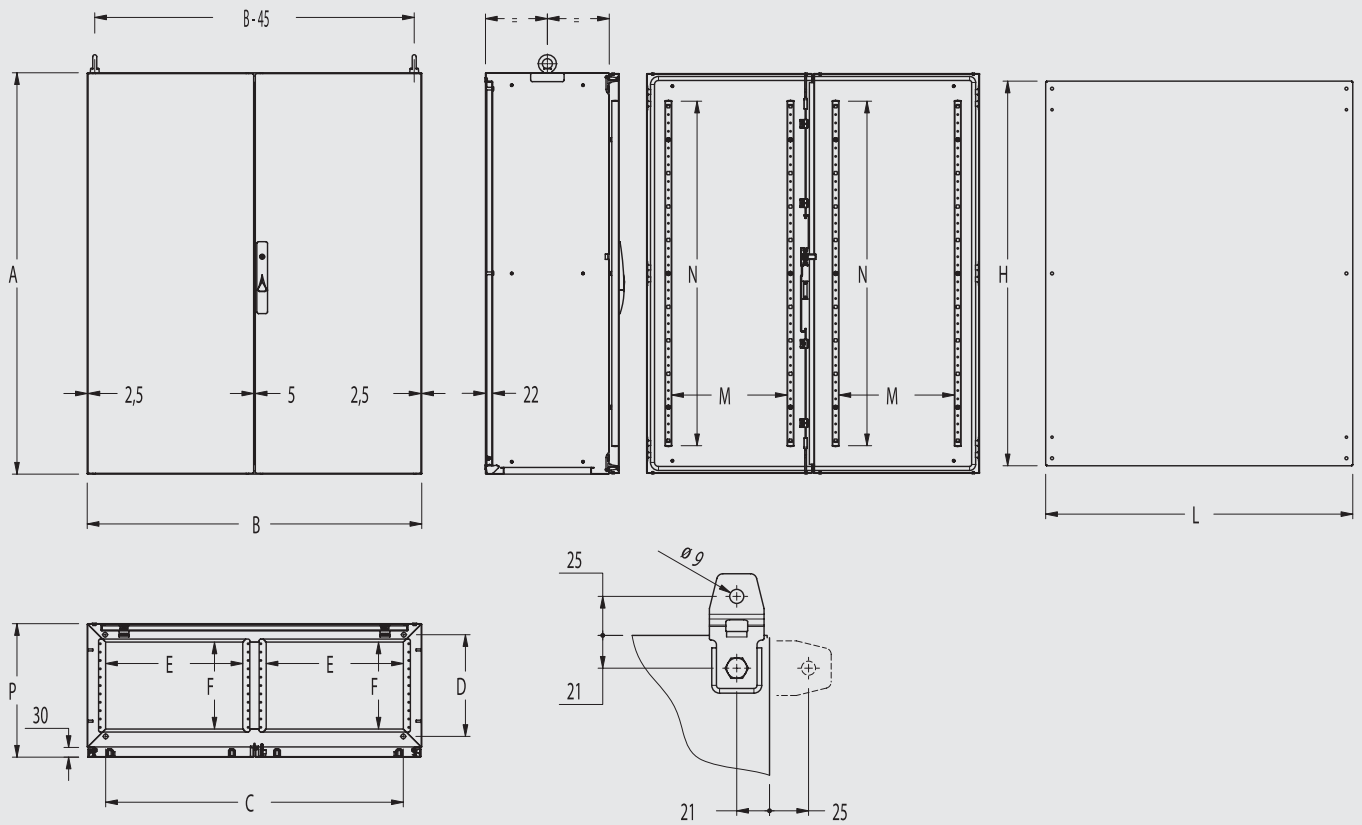
Enclosure with two doors, two sendzimir profiles fixed on the door, mounting panel, bottom with adjustable cable entry, espagnolette 3-point locking system.

### CONFORMITY AND APPROVAL (APPROVAL PENDING)



### PROTECTION RATINGS

- IP 55, IK 10 according to IEC EN62208
- Type 12 according to UL508A



### DIMENSIONAL SPECIFICATIONS

CODE CS	DIM. RANGE/CABINET DIM.			PLATE DIM.		OTHER DIMENSIONS			
	B	A	P	L	H	E	F	M	N
CS101240	1000	1200	400	918	1150	260	410	1030	345
CS101430	1000	1400	300	918	1350	160	410	1230	345
CS101440	1000	1400	400	918	1350	260	410	1230	345
CS121240	1200	1200	400	1118	1150	260	510	1030	445
CS121430	1200	1400	300	1118	1350	160	510	1230	445
CS121440	1200	1400	400	1118	1350	260	510	1230	445